

ORIGINAL INSTRUCTIONS

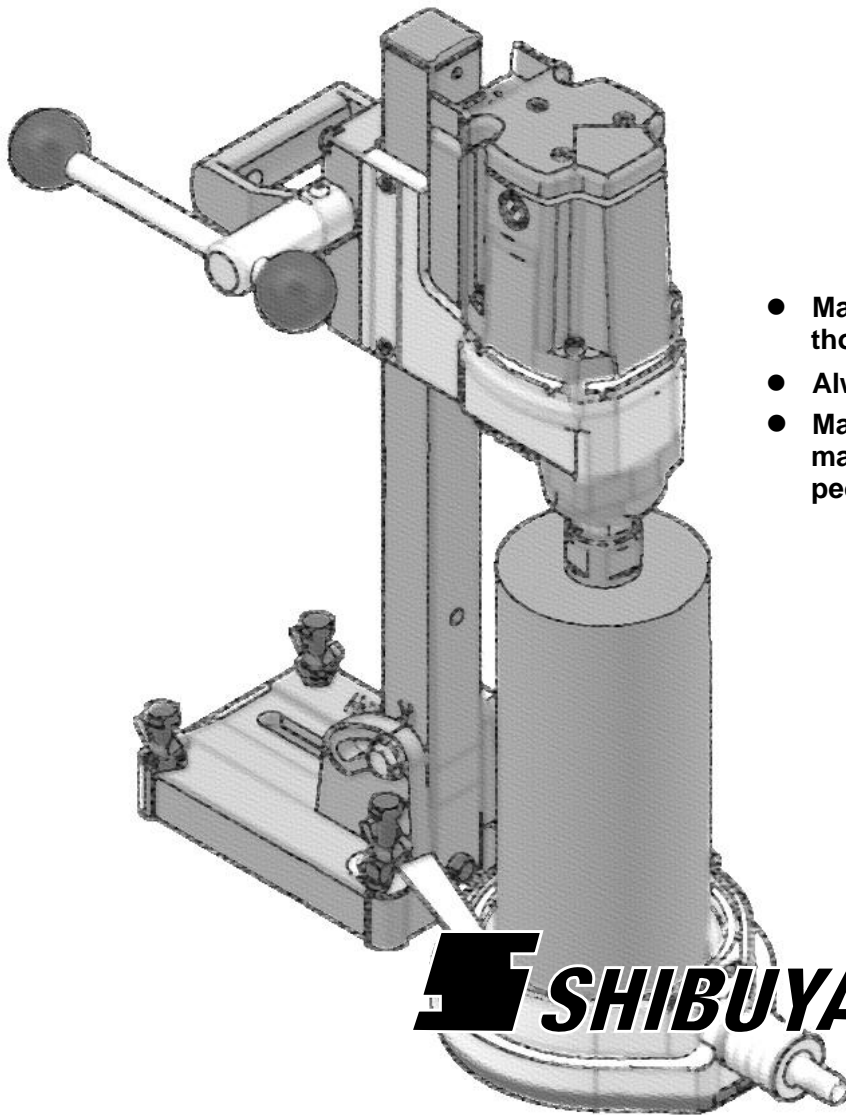
SHIBUYA

DIAMOND CORE DRILLING MACHINE OPERATOR'S INSTRUCTION MANUAL

WITH PARTS LISTS & DRAWINGS

DRILL MOTOR MODEL: H1011/H1012

DRILL STAND MODEL: TS-095(AB42) 560L/800L



- **Make sure to read and understand this manual thoroughly before starting the operation.**
- **Always keep this manual with the machine.**
- **Make sure that this manual is with the machine, when it is given and/or sold to other people.**

SHIBUYA COMPANY, LTD.

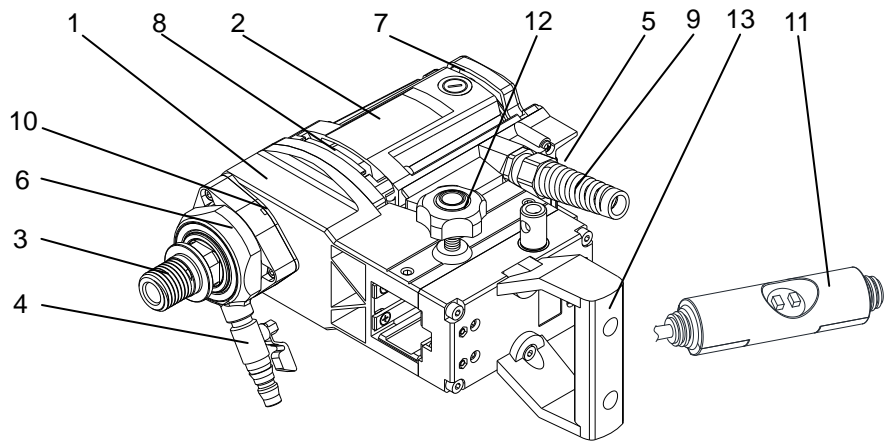
5-86 MOKUZAIKO-KITA, HATSUKAICHI
HIROSHIMA 738-0021
JAPAN
TEL: +81-829-34-4510

TS-095-H10-2023

NAME OF EACH PART

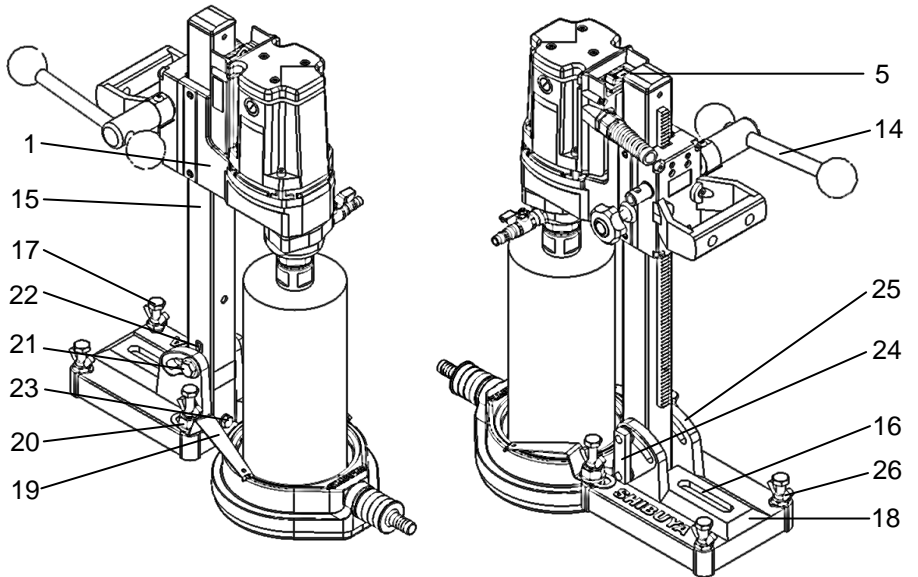
H1011/H1012 Drill Motor

1. Gear Box / Carriage Block
2. Motor
3. Spindle
4. GARDENA Connector / Water Cock
5. Main Switch (Circuit Protector)
6. Swivel Ring
7. Air Inlet
8. Air Outlet
9. Power Cord
10. Water Leakage Hole
11. PRCD (220-240 V model only)
12. Stopper-Knob (Carriage Brake)
13. Grip Handle
14. Quick Release Handle (Feed Handle)



TS-095(AB42) Drill Stand

15. Column
16. Anchor Slot
17. Leveling Bolt
18. Base
19. Beam
20. U-Nut
21. Hex Bolt M10x80
22. Indication Label
23. Hex Bolt M10x55
24. Plate
25. Angle Scale
26. Flange Nut

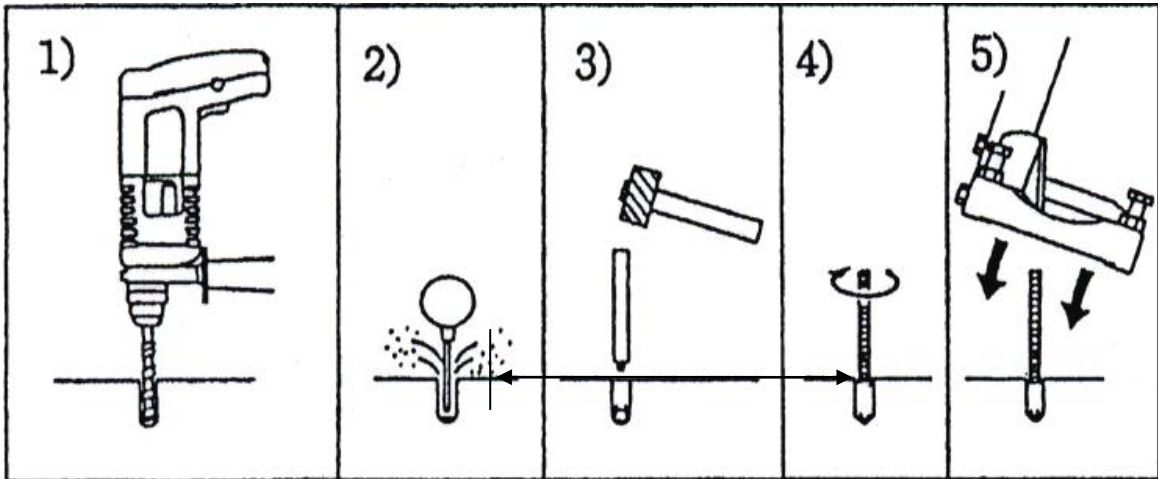


Refer to the schematic drawings and parts lists attached at the end of this manual for names of more specific parts.

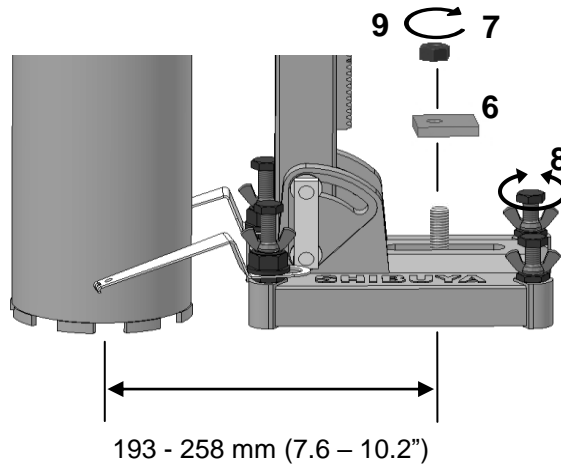
ILLUSTRATIONS OF OPERATION

(The numbers in the figure correspond to the same heading number in the writing sections.)

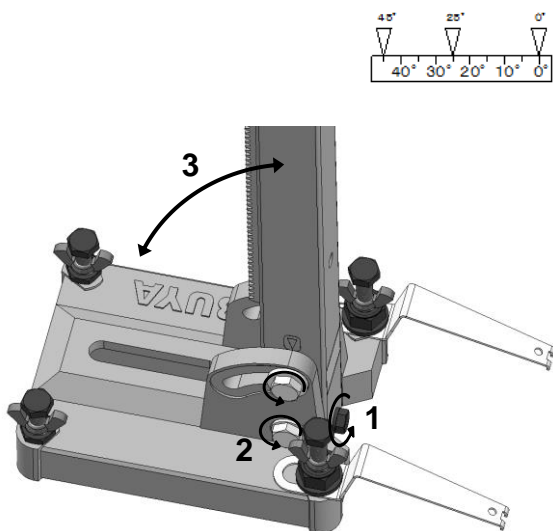
7.1



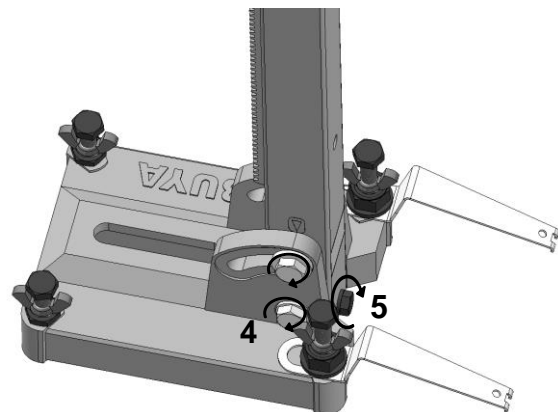
7.1



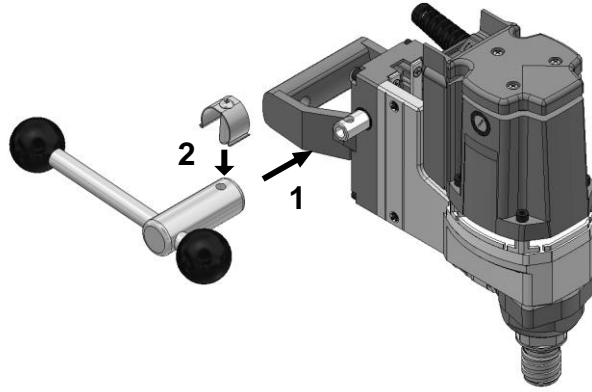
7.2



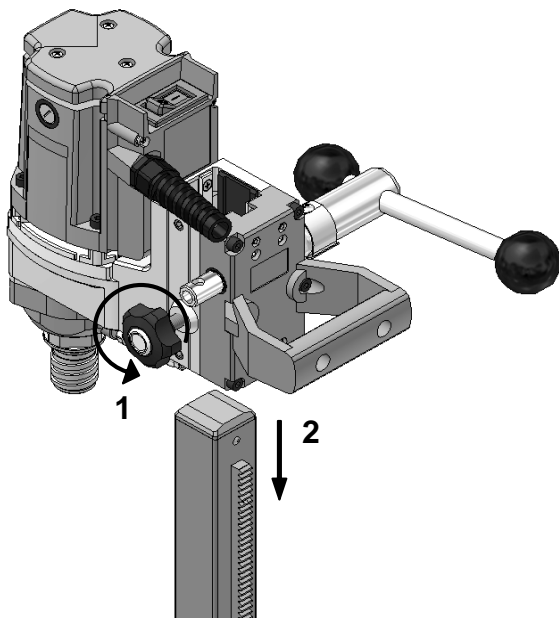
7.2



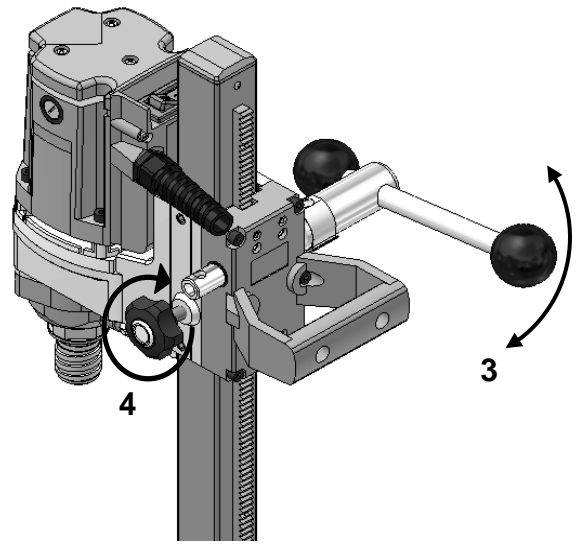
7.3.1



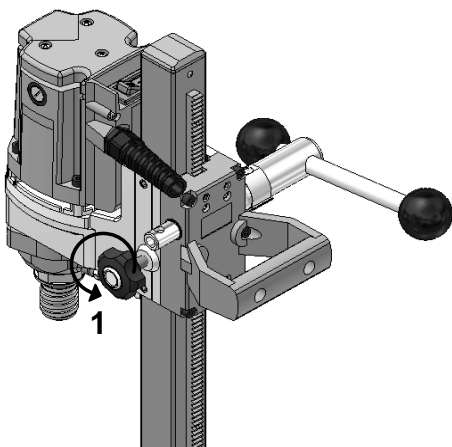
7.3.2



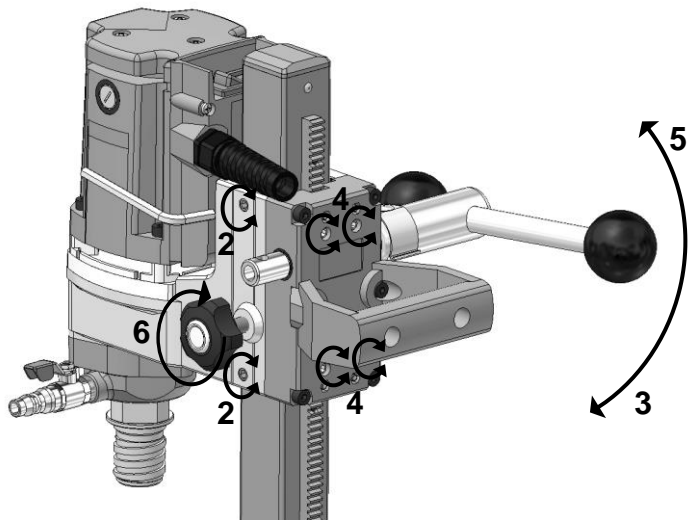
7.3.2



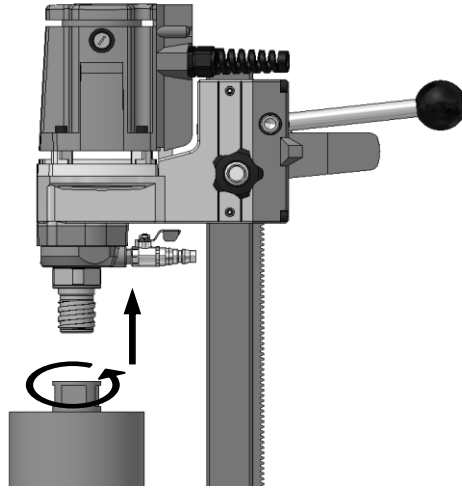
7.3.3



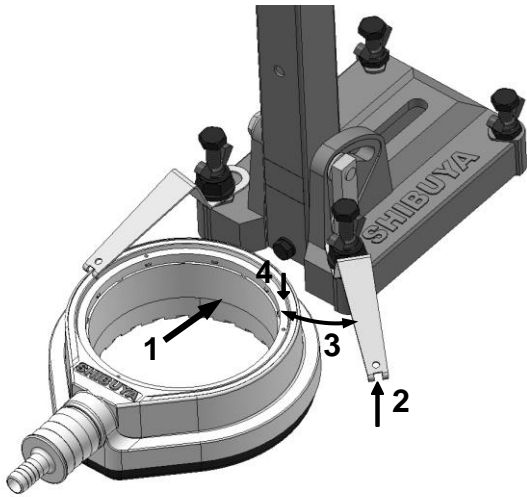
7.3.3



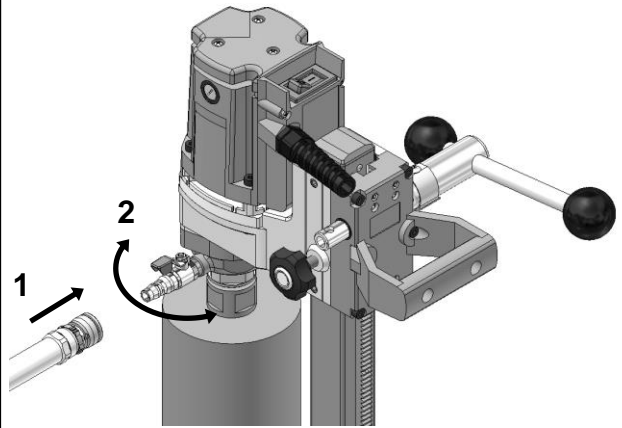
7.4



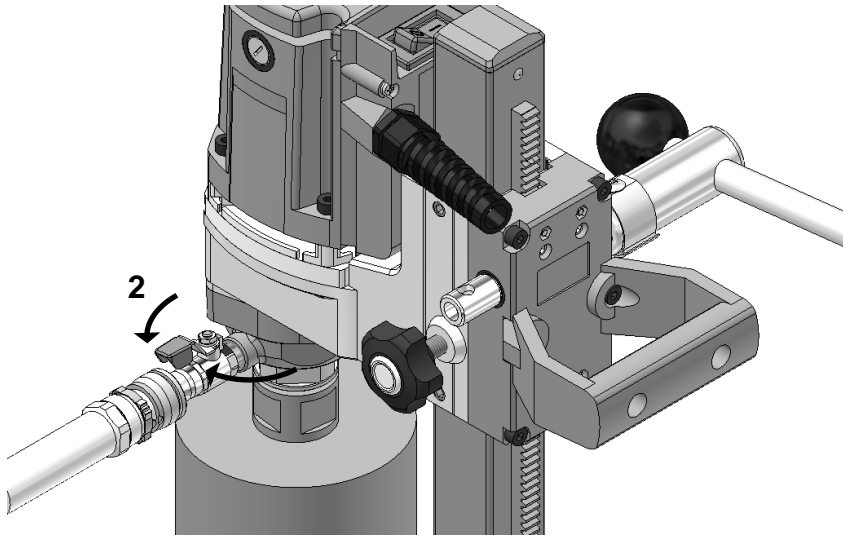
7.5



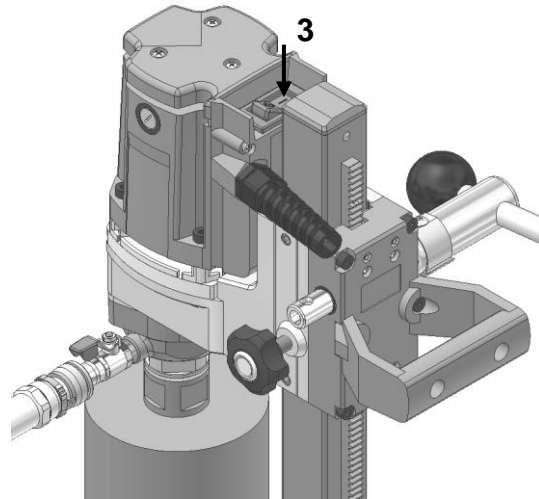
7.6



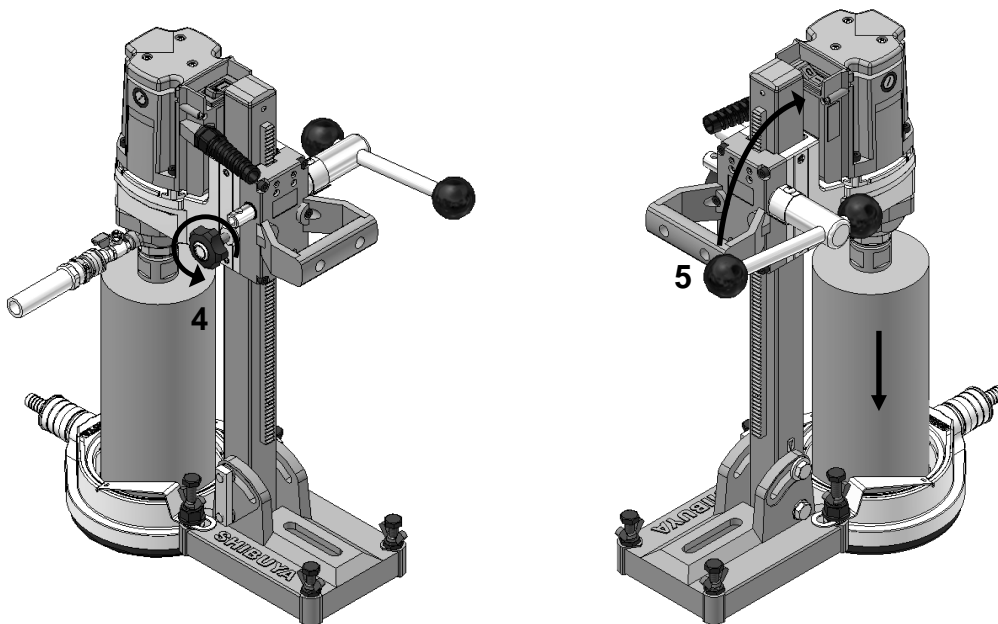
8.2.1



8.2.1



8.2.1



STANDARD ACCESSORIES

Check that all of the following items are included in the package.

TS-095(AB42)

| Item | Size | Qty. |
|-----------------------|-------------|-------------|
| Water Collection Ring | WCR-130 | 1 |

| Item in the tool bag | Size | Qty. |
|-----------------------------|------------------------------------|-------------|
| Double-End Spanner | 13x17 mm | 1 |
| Single-End Spanner | 32 mm for UNC / 36 mm for A-Rod | 1 |
| Allen Key | 4 mm | 1 |
| Allen Key | 5 mm | 1 |
| Square Washer | W3/8 | 1 |
| Core Removal Lasso | | 1 |

OPTIONAL ACCESSORIES

TS-095(AB42)

| Item | Size | Qty. |
|--------------------|---------------------|-------------|
| Single-End Spanner | 36 mm | 1 |
| Adaptor | G1/2 - UNC 1 1/4"-7 | 1 |
| Adaptor | G1/2 - 5/8-11 | 1 |

CONTENTS

| | |
|---|-----|
| NAME OF EACH PART | i |
| ILLUSTRATIONS OF OPERATION | ii |
| STANDARD ACCESSORIES | vi |
| OPTIONAL ACCESSORIES | vi |
| CONTENTS | vii |
| 1. GENERAL INFORMATION | 1 |
| 1.1 Safety notes and their meanings | 1 |
| 1.2 Pictograms | 1 |
| 1.3 Model name plate label | 2 |
| 1.4 Other label | 2 |
| 2. DESCRIPTION | 3 |
| 2.1 Applications of the machine | 3 |
| 3. IMPORTANT NOTICE | 3 |
| 4. SAFETY | 4 |
| 4.1 Safety precautions | 4 |
| 4.1.1 General power tool safety warnings | 4 |
| 4.1.2 Diamond drill safety warnings | 5 |
| 4.1.3 Additional safety precautions | 6 |
| 4.2 Safety devices | 7 |
| 5. TECHNICAL DATA | 8 |
| 5.1 Diamond core drilling machine | 8 |
| 5.2 Noise information and vibration values determined in accordance with EN 62841 | 9 |
| 6. BEFORE USE | 10 |
| 6.1 PRCD, GFCI and RCD | 10 |
| 6.2 Extension cords | 10 |
| 7. SETTING UP | 11 |
| 7.1 Fastening the drill stand with an anchor | 11 |
| 7.2 Adjusting the angle of the drill stand with AB42 | 11 |
| 7.3 Mounting the drill motor with the carriage block on the drill stand | 12 |
| 7.3.1 Attaching the quick release handle to the carriage block | 12 |
| 7.3.2 Attaching the drill motor with the carriage block to the drill stand | 12 |
| 7.3.3 Adjusting the carriage block | 12 |
| 7.4 Attaching a core bit | 13 |
| 7.5 Setting a water collection ring | 13 |
| 7.6 Preparation for water supply | 13 |
| 8. OPERATION | 14 |
| 8.1 Precautions for the drilling operation | 14 |
| 8.1.1 General | 14 |
| 8.1.2 Electrical safety | 14 |
| 8.1.3 Others | 14 |
| 8.2 Operating procedure | 14 |
| 8.2.1 Start drilling | 14 |
| 8.2.2 Restart after the circuit protector trips | 15 |
| 8.2.3 Core bit jamming | 15 |
| 8.2.4 Stop drilling | 15 |
| 8.2.5 Remove cores with the core removal lasso | 16 |
| 9. CLEANING | 16 |
| 10. ACCESSORIES (OPTION) | 16 |
| 11. MAINTENANCE | 17 |
| 11.1 Replacing the carbon brushes | 17 |
| 12. TRANSPORT AND STORAGE | 17 |

| | |
|----------------------------|----|
| 13. TROUBLESHOOTING..... | 18 |
| 14. DISPOSAL..... | 19 |
| 15. LIMITED WARRANTY | 19 |
| 16. DIMENSIONS | 19 |
| 17. PARTS LIST..... | 20 |

1. GENERAL INFORMATION

1.1 Safety notes and their meanings

In this manual, warning signs are classified into four levels based on the level of potential risks.

 **DANGER**

This symbol indicates the imminent risks that lead to death or serious injury to the operators and others, unless the safety instructions are observed.

 **WARNING**

This symbol indicates the potential risks that may lead to death or serious injury to the operators and others, unless the safety instructions are observed.

 **CAUTION**

This symbol indicates the potential risks that lead to injury to the operators and others, unless the safety instructions are observed.

NOTE

This symbol is used for the information that is necessary for you to know.

1.2 Pictograms



Make sure to read and understand this manual thoroughly before starting the operation.



The machine can be a dangerous tool if it is not used correctly. Incorrect and careless use can lead to death or serious injury to the operators and/or others.



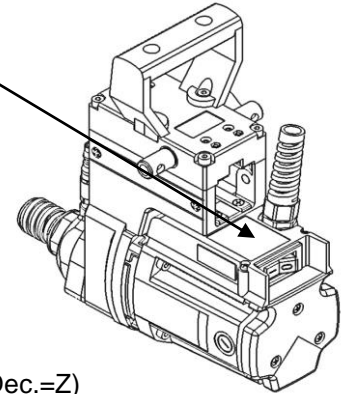
Do not dispose of this machine with domestic waste. Follow your national law.

When you dispose of concrete slurry, ask your local authorities for applicable regulations.

1.3 Model name plate label

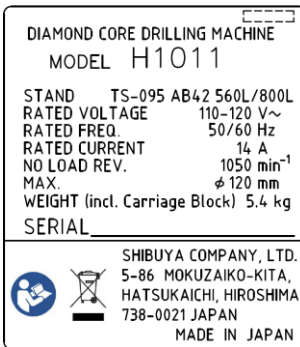
This machine has a label as shown in the figures below. When the label is illegible or lost, contact a Shibuya authorized dealer to get a new one. The serial number on the model name plate indicates the production year and month of the drill motor as shown in the sample below.

Model Name Plate Label

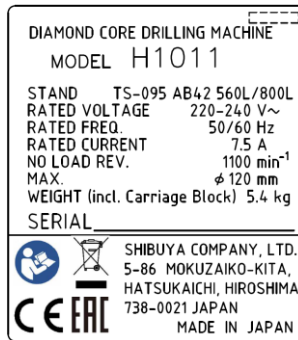


SERIAL (sample): 18 Z 0001

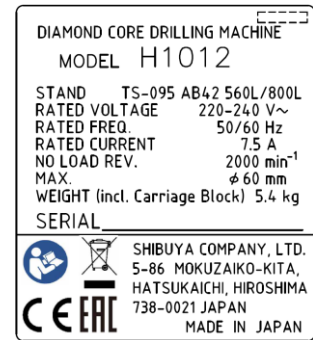
Serial No.
 Month (Jan.-Sep.= 1-9, Oct.=X, Nov.=Y, Dec.=Z)
 Year (2018)



110-120 V model



220-240 V model

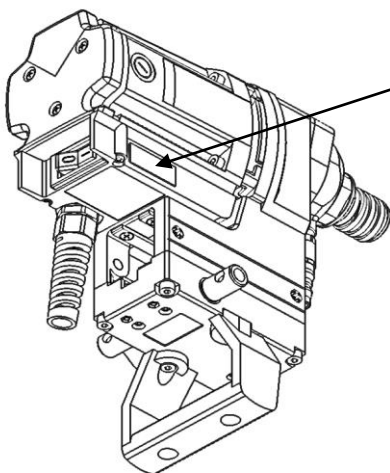


220-240 V model

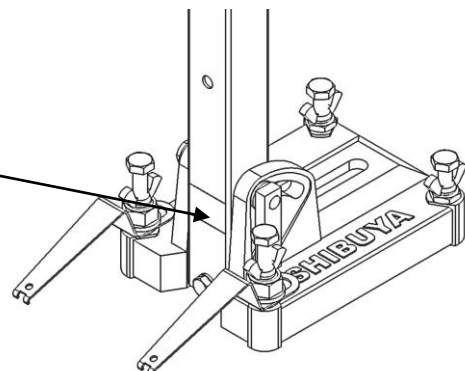
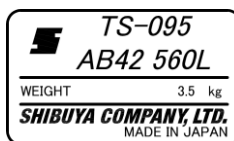
1.4 Other label

This machine has labels as shown in the figure below. When the label is illegible or lost, contact a Shibuya authorized dealer to get a new one.

Dealer Label (CE and US version only)



Weight Label



2. DESCRIPTION

This machine consists of the drill motor and drill stand. This machine is designed for wet drilling in walls and floors made of concrete, natural stone and other mineral building materials using diamond core bits (diamond tools). The drill motor must be mounted on a Shibuya drill stand: TS-095(AB42) 560L or TS-095(AB42) 800L. Handheld use is not permissible.

2.1 Applications of the machine

- Drilling reinforced concrete for piping works
- Extracting concrete cores for strength testing
- Overall drilling in reinforced concrete, except drilling upwards

3. IMPORTANT NOTICE

DANGER

- **Improper use of the diamond core drilling machine may lead to serious or fatal injuries. Read, understand and follow this manual carefully before the operation.**
 - **This machine is designed for core drilling operations. Never use it for any other purposes. Do not use it as a hand-held core drill.**
-

WARNING

- **This machine is intended for industrial applications by experienced operators.**
 - **Always use common sense and plan your work to avoid injuries. It is not possible to cover all risks which may occur during the operations in this manual. Therefore, enough care must be taken to ensure the safe operation of this machine.**
-

NOTE

- Shibuya Company, Ltd. reserves the right to change specifications of products without any prior notices.
 - Copyright reserved on this manual. Publication of the technical information and drawings in this manual, and duplication without prior permission of Shibuya Company, Ltd. is prohibited.
-

4. SAFETY

4.1 Safety precautions

The safety precautions given in the following section contain all general safety precautions for power tools which, in accordance with the applicable standards, require to be listed in the operating instructions.

Accordingly, some of the rules listed may not be relevant to this power tool.

4.1.1 General power tool safety warnings

WARNING

Read all safety warnings, instructions, illustrations and specifications provided with this power tool. Failure to follow all instructions listed below may result in electric shock, fire and/or serious injury.

Save all warnings and instructions for future reference.

The term "power tool" in the warnings refers to your mains-operated (corded) power tool or battery-operated (cordless) power tool.

1) Work area safety

- a) **Keep work area clean and well lit.** Cluttered or dark areas invite accidents.
- b) **Do not operate power tools in explosive atmospheres, such as in the presence of flammable liquids, gases or dust.** Power tools create sparks which may ignite the dust or fumes.
- c) **Keep children and bystanders away while operating a power tool.** Distractions can cause you to lose control.

2) Electrical safety

- a) **Power tool plugs must match the outlet. Never modify the plug in any way. Do not use any adapter plugs with earthed (grounded) power tools.** Unmodified plugs and matching outlets will reduce risk of electric shock.
- b) **Avoid body contact with earthed or grounded surfaces, such as pipes, radiators, ranges and refrigerators.** There is an increased risk of electric shock if your body is earthed or grounded.
- c) **Do not expose power tools to rain or wet conditions.** Water entering a power tool will increase the risk of electric shock.
- d) **Do not abuse the cord. Never use the cord for carrying, pulling or unplugging the power tool. Keep cord away from heat, oil, sharp edges or moving parts.** Damaged or entangled cords increase the risk of electric shock.
- e) **When operating a power tool outdoors, use an extension cord suitable for outdoor use.** Use of a cord suitable for outdoor use reduces the risk of electric shock.
- f) **If operating a power tool in a damp location is unavoidable, use a residual current device (RCD) protected supply.** Use of an RCD reduces the risk of electric shock.

3) Personal safety

- a) **Stay alert, watch what you are doing and use common sense when operating a power tool. Do not use a power tool while you are tired or under the influence of drugs, alcohol or medication.** A moment of inattention while operating power tools may result in serious personal injury.
- b) **Use personal protective equipment. Always wear eye protection.** Protective equipment such as a dust mask, non-skid safety shoes, hard hat or hearing protection used for appropriate conditions will reduce personal injuries.
- c) **Prevent unintentional starting. Ensure the switch is in the off-position before connecting to power source and/or battery pack, picking up or carrying the tool.** Carrying power tools with your finger on the switch or energising power tools that have the switch on invites accidents.
- d) **Remove any adjusting key or wrench before turning the power tool on.** A wrench or a key left attached to a rotating part of the power tool may result in personal injury.

- e) **Do not overreach. Keep proper footing and balance at all times.** This enables better control of the power tool in unexpected situations.
- f) **Dress properly. Do not wear loose clothing or jewellery. Keep your hair and clothing away from moving parts.** Loose clothes, jewellery or long hair can be caught in moving parts.
- g) **If devices are provided for the connection of dust extraction and collection facilities, ensure these are connected and properly used.** Use of dust collection can reduce dust-related hazards.
- h) **Do not let familiarity gained from frequent use of tools allow you to become complacent and ignore tool safety principles.** A careless action can cause severe injury within a fraction of a second.

4) Power tool use and care

- a) **Do not force the power tool. Use the correct power tool for your application.** The correct power tool will do the job better and safer at the rate for which it was designed.
- b) **Do not use the power tool if the switch does not turn it on and off.** Any power tool that cannot be controlled with the switch is dangerous and must be repaired.
- c) **Disconnect the plug from the power source and/or remove the battery pack, if detachable, from the power tool before making any adjustments, changing accessories, or storing power tools.** Such preventive safety measures reduce the risk of starting the power tool accidentally.
- d) **Store idle power tools out of the reach of children and do not allow persons unfamiliar with the power tool or these instructions to operate the power tool.** Power tools are dangerous in the hands of untrained users.
- e) **Maintain power tools and accessories. Check for misalignment or binding of moving parts, breakage of parts and any other condition that may affect the power tool's operation. If damaged, have the power tool repaired before use.** Many accidents are caused by poorly maintained power tools.
- f) **Keep cutting tools sharp and clean.** Properly maintained cutting tools with sharp cutting edges are less likely to bind and are easier to control.
- g) **Use the power tool, accessories and tool bits etc. in accordance with these instructions, taking into account the working conditions and the work to be performed.** Use of the power tool for operations different from those intended could result in a hazardous situation.
- h) **Keep handles and grasping surfaces dry, clean and free from oil and grease.** Slippery handles and grasping surfaces do not allow for safe handling and control of the tool in unexpected situations.

5) Service

- a) **Have your power tool serviced by a qualified repair person using only identical replacement parts.** This will ensure that the safety of the power tool is maintained.

4.1.2 Diamond drill safety warnings

- a) **When performing drilling that requires the use of water, route the water away from the operator's work area or use a liquid collection device.** Such precautionary measures keep the operator's work area dry and reduce the risk of electrical shock.
- b) **Operate power tool by insulated grasping surfaces, when performing an operation where the cutting accessory may contact hidden wiring or its own cord.** Cutting accessory contacting a "live" wire may make exposed metal parts of the power tool "live" and could give the operator an electric shock.
- c) **Wear hearing protection when diamond drilling.** Exposure to noise can cause hearing loss.
- d) **When the bit is jammed, stop applying downward pressure and turn off the tool.** Investigate and take corrective actions to eliminate the cause of the bit jamming.
- e) **When restarting a diamond drill in the workpiece check that the bit rotates freely before starting.** If the bit is jammed, it may not start, may overload the tool, or may cause the diamond drill to release from the workpiece.
- f) **When securing the drill stand with anchors and fasteners to the workpiece, ensure that the anchoring used is capable of holding and restraining the machine during use.** If the workpiece is weak or porous, the anchor may pull out causing the drill stand to release from the workpiece.
- g) **When drilling through walls or ceilings, ensure to protect persons and the work area on the other side.** The bit may extend through the hole or the core may fall out on the other side.

- h) **Do not use this drill tool for overhead drilling with water supply.** Water entering the power tool will increase the risk of electric shock.

4.1.3 Additional safety precautions

Personal safety

- Tampering with or modification of the machine is **not** permitted.
- The machine is **not intended for use by inexperienced persons** who have received no special training.
- Keep the machine out of reach of children.
- **Avoid touching rotating parts.** Switch the machine on only after it is in the position at the workpiece. Touching rotating parts, especially rotating accessory tools, may lead to injury.
- Avoid skin contact with drilling slurry.
- Dust from materials, such as paint containing lead, some kinds of wood, concrete / masonry / stone containing silica, and minerals as well as metal, may be injurious to health. Contact with or inhalation of the dust may cause allergic reactions and/or respiratory or other diseases to the operator or bystanders. Certain kinds of dust are classified as carcinogenic such as oak and beech dust, especially in conjunction with additives for wood conditioning (chromate, wood preservative). Material containing asbestos must only be handled by specialists. Use a dust removal system that is as effective as possible. Accordingly, use a suitable vacuum cleaner of the type recommended by **specialists** for wood dust and/or mineral dust and which is designed for use with this power tool. Ensure that the workplace is well ventilated. The use of a dust mask suitable for the particular type of dust is recommended. Observe national regulations applicable to the materials on which you intend to use the machine.
- The diamond core drilling machine and the diamond core bit are heavy pieces of equipment. There is a risk of crushing parts of the body. **The user and any other persons in the vicinity must wear suitable eye protection, a hard hat, ear protection, protective gloves and safety footwear while the machine is in use.**

Careful handling and use of electric tools

- Make sure that the drill motor is correctly fastened in the drill stand.
- Ensure that the accessory tools used have a spindle thread that is compatible with the drilling machine and that they are secured in the spindle correctly.

Electrical safety

- **Avoid using extension cords with multiple power outlets** and the simultaneous use of several machines connected to one extension cord.
- Never plug into the socket that is not equipped with an earth (ground) conductor.
- Before beginning work, **check the working area (e.g. using a metal detector) to ensure that no concealed electric cables or gas and water pipes** are present. External metal parts of the machine may become live, for example, when an electric power line is damaged accidentally. This presents a serious risk of electric shock.
- Make sure that the supply cord is not pinched and damaged as the carriage block advances.
- **Never operate the machine without the PRCD.** Never operate machines without an isolating transformer if PRCD is not equipped. Test the PRCD each time before use.
- **Check the machine's supply cord at regular intervals** and have it replaced by a qualified specialist if found to be damaged. If the machine's supply cord is damaged it must be replaced by Shibuya authorized dealer. Check extension cords at regular intervals and replace them if found to be damaged. Do not touch the supply cord or extension cord if it is damaged while working. Disconnect the supply cord plug from the power outlet. Damaged supply cords or extension cords present a risk of electric shock.

Workplace

- **Approval must be obtained from the site engineer or architect prior to beginning drilling work.** Drilling work on buildings and other structures may influence the static equilibrium of the structure, especially when steel reinforcing bars or load-bearing components are cut through.
- If the drill stand has not been fastened correctly, always move the drill motor mounted on the drill stand all the way down in order to prevent the stand from falling over.
- Keep the supply cord, extension cord, water hose and vacuum hose away from rotating parts of the machine.

4.2 Safety devices

Circuit protector (Main Switch)

 **WARNING**

Do not modify the circuit protector.

This machine is equipped with a circuit protector for safer operation, avoiding overload of the drill motor which may cause fire or smoke.

Clutch system

 **CAUTION**

Do not tighten the clutch by yourself.

This machine is equipped with clutch system to reduce the risks when the core bit is jammed. This system also plays a role in protecting the power train.

5. TECHNICAL DATA

5.1 Diamond core drilling machine

When powered by a generator or transformer, the generator or transformer's power output must be at least 2.4 kVA (110-120 V) or 2.6 kVA (220-240 V). The operating voltage of the transformer or generator must always be the voltage stated on the model name plate label.

The specification may vary for country-specific versions. Please refer to the model name plate label for details of its voltage, frequency, current and input power ratings.

Information for users as per EN 61000-3-11: Switching on causes a brief drop in voltage. Other appliances may be negatively affected on mains supplies where conditions are unfavorable. No malfunctions are to be expected in mains supplies with an impedance of less than 0.226 ohms (220-240 V).

| Motor Model | | H1011 | | H1012 | |
|--|----------------------|----------------------------|---------|---------|---------|
| Rated Voltage | (V) | 110-120 | 220-240 | 110-120 | 220-240 |
| Rated Frequency | (Hz) | 50/60 | | | |
| Rated Input | (W) | 1600 | | | |
| Rated Current | (A) | 14 | 7.5 | 14 | 7.5 |
| Spindle Rev. at No Load | (min ⁻¹) | 1050 | 1100 | 1900 | 2000 |
| Spindle Rev. at Rated Load | (min ⁻¹) | 760 | 740 | 1350 | 1310 |
| Spindle Thread | | G1/2" (BSPP 1/2") or A-ROD | | | |
| Weight (incl. Carriage Block excl. Plug and Cord) | (kg) | 5.4 (12 lbs.) | | | |

| Drill Stand Model | | TS-095 (AB42) 560L/800L |
|-----------------------------------|------|---|
| Max. Applicable Core Bit Diameter | (mm) | 120 (4.7") with H1011 60 (2.4") with H1012 |
| Overall Height | (mm) | 568 (22.4") / 805 (31.7") |
| Base Size | (mm) | 146 x 200 (5.7" x 7.9") |
| Total Stroke | (mm) | 320 (12.6") / 558 (22") |
| Max Column Tilt Angle | (°) | 45 |
| Weight | (kg) | 3.5 (7.7 lbs.) / 4.2 (9.3 lbs.) |

NOTE

Never use the machine at the place where the ambient temperature is below 0 degrees C (32 degrees F) or above 40 degrees C (104 degrees F).

5.2 Noise information and vibration values determined in accordance with EN 62841

The sound pressure and vibration values given in these instructions have been measured in accordance with a standardized test and may be used to compare one power tool with another. They may be used for a preliminary assessment of exposure. The data given represents the main applications of the power tool. However, if the power tool is used for different applications, with different accessory tools, or is poorly maintained, the data may vary. This may significantly increase exposure over the total working period. An accurate estimation of exposure should also take into account the times when the power tool is switched off, or when it is running but not actually being used for a job. This may significantly reduce exposure over the total working period. Identify additional safety measures to protect the operator from the effects of noise and/or vibration, for example: maintain the tool and the accessories and organization of work patterns.

The sound pressure and vibration have been measured under the following condition in accordance with EN62841.

| Drill motor | Core bit dia. | Concrete formulation |
|----------------------|---------------|---|
| H1011 (220-240 V) | 100 mm | The water/cement mass ratio : 0.56 Compressive strength : 44 N/mm ² |

| Drill motor | Core bit dia. | Concrete formulation |
|----------------------|---------------|---|
| H1012 (220-240 V) | 52 mm | The water/cement mass ratio : 0.56 Compressive strength : 44 N/mm ² |

Noise emission values determined in accordance with EN 62841

| | |
|---|-----------------|
| Drill motor | H1011 220-240 V |
| Sound (power) level (L _{WA}) | 100.8 dB(A) |
| Uncertainty for the sound power level (K _{WA}) | 3 dB(A) |
| Sound pressure level (L _{pA}) | 85.4 dB(A) |
| Uncertainty for the sound pressure level (K _{pA}) | 3 dB(A) |

| | |
|---|-----------------|
| Drill motor | H1012 220-240 V |
| Sound (power) level (L _{WA}) | 99.9 dB(A) |
| Uncertainty for the sound power level (K _{WA}) | 3 dB(A) |
| Sound pressure level (L _{pA}) | 85.3 dB(A) |
| Uncertainty for the sound pressure level (K _{pA}) | 3 dB(A) |

Total vibration (vector sum of three directions) measured in accordance with EN 62841

Triaxial total vibration (vector sum of vibration) at the quick release handle (feed handle) does not exceed 2.5 m/s² in accordance with EN 62841.

6. BEFORE USE

6.1 PRCD, GFCI and RCD

220-240 V model

⚠ WARNING

Always use a Portable Residual Current Device (PRCD) also known as a Ground Fault Circuit Interrupter (GFCI).

Test and reset the PRCD before each use.

1. Plug into an earthed/grounded power outlet.
2. Press the "I" or "RESET" button on the PRCD.
The indicator lights up.
3. Press the "O" or "TEST" button on the PRCD.
The indicator goes out.

110-120 V model

⚠ WARNING

Always use a Residual Current Device (RCD) also known as a Ground Fault Circuit Interrupter (GFCI).

Refer to the manual of the RCD or GFCI.

Specifications of an RCD or GFCI

| | |
|------------------|---------------|
| Power voltage | 110-120 V |
| Breaking current | 15 A or more |
| Current leakage | 10 mA or less |

6.2 Extension cords

⚠ CAUTION

- For 220-240 V model, use only extension cords of a type approved for the application and with conductor cross section 1.5 mm^2 or larger, and the maximum allowable length of the cord is 50 meters (164 ft).
- For 110-120 V model, use only extension cords of a type approved for the application and with conductor cross section 2.0 mm^2 (14AWG) or larger, and the maximum allowable length of the cord is 35 meters (115 ft).
- Never turn on the drill motor while the extension cords are circularly bundled. The circularly bundled extension cords may act as a coil which generates a magnetic field and heat.

7. SETTING UP

7.1 Fastening the drill stand with an anchor

DANGER

Fasten the drill stand firmly on the material to be drilled, otherwise the machine may become unstable during the operation and it may lead to death or serious injury to the operators and others.

WARNING

- Read and follow the instruction manual of the anchor bolts used with the machine.
- Use anchor bolts which tensile strength is greater or equal to 24.5 kN (5.5 klbf).
- When fastening the drill stand to a wall, countermeasures must be taken to avoid falling hazards.
- Never fasten the drill stand to a ceiling.

- 1) Drill a hole for Drop-In anchor, using a hammer drill.
The ideal distance between the center of the hole to be drilled and the anchor hole;

TS-095(AB42) swivel base drill stand: 193-258 mm (7.6-10.2")
- 2) Clean out the anchor hole.
- 3) Insert the anchor into the hole, and hammer a setting tool to fasten the anchor firmly.
- 4) Screw a threaded bolt into the anchor.
- 5) Set the drill stand, passing the bolt through the anchor slot.
- 6) Insert the W3/8 square washer (standard accessory) to the bolt.
- 7) Insert a hex. nut to the bolt. Then, tighten the nut temporarily.
- 8) Adjust the leveling bolts to stabilize the base. Tighten the nut on the leveling bolts to fix the leveling bolts firmly.
- 9) Tighten the hex. nut firmly using a spanner.

7.2 Adjusting the angle of the drill stand with AB42

CAUTION

- Before tilting the column, ensure that the drill stand is firmly fastened by an anchor bolt to the material to be drilled, and the drill motor with the carriage block is removed from the column.
- Take care not to pinch fingers between the column and the base.
- Wear protective gloves.

NOTE

The angle scale indicates approximate angle degrees. If higher precision is required, alternative measuring method should be used.

Follow the procedure below.

- 1) Loosen and remove hex. bolt (M8x55) which fixes the column to the base on the front side of the base. Also, remove the spring washer (2-8). Keep them for the future use.
- 2) Loosen 2 pieces of the hex. bolts (M10x80) on the side of the column so that the column tilts.
- 3) Tilt the column to a desired angle.
- 4) Tighten 2 pieces of the hex. bolts (M10x80) on the side of the column. The tightening torque is 35 Nm (26 lbf · ft) each.
- 5) When using it as a fixed drill stand, ensure to re-attach the hex. bolt (M8x55) and the spring washers (2-8) and tighten the bolt. The tightening torque is 20 Nm (15 lbf · ft).

7.3 Mounting the drill motor with the carriage block on the drill stand

⚠ WARNING

Make sure the drill motor is switched off and disconnected from the power supply.

7.3.1 Attaching the quick release handle to the carriage block

⚠ CAUTION

Take care not to pinch fingers between the retainer and the quick release handle (feed handle).

Follow the procedure below.

- 1) Attach the quick release handle (feed handle) to either left or right side of the carriage block.
- 2) Insert the retainer (pin) to fix the quick release handle to the carriage block.
Make sure that the handle is firmly-fastened.

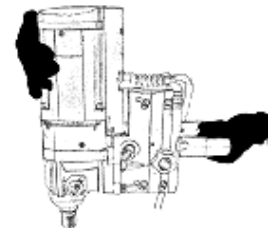
7.3.2 Attaching the drill motor with the carriage block to the drill stand

⚠ CAUTION

- **Take care not to pinch fingers between the carriage block and the column when mounting the motor.**
- **Hold the motor tightly with both hands as below when mounting the motor on the drill stand.**
- **The quick release handle (feed handle) starts turning once the pinion gear of the carriage block and the rack gear of the column are engaged. Take care not to hit the handle against your body when the carriage block is sliding.**
- **Tighten the stopper-knob (carriage brake) to prevent unintentional sliding down of the carriage block.**

Follow the procedure below.

- 1) Loosen the stopper-knob.
- 2) Mount the drill motor with the carriage block on the drill stand.
- 3) Turn the quick release handle to feed the drill motor to a suitable position.
- 4) Tighten the stopper-knob.



7.3.3 Adjusting the carriage block

NOTE

Adjustment of the carriage block plays an important role in core drilling operations. Unacceptable play of the carriage block will cause a radial runout of the core bit which may lead to unsymmetrical contact of the shank and/or jamming of the core bit while the operation. If the carriage block is too tight, the resistance will increase and the carriage block does not slide smoothly along the column. Adjust the carriage block a little tight and within the operator can reasonably feed the motor.

The carriage block must be adjusted if there is play between the carriage block and the column.

Follow the procedure below.

- 1) While holding the feed handle, loosen the stopper-knob.
- 2) Use a 5 mm Allen key to tighten / loosen hex. socket screws.
2 pieces of the hex. socket screws on the left side of the carriage block are for adjusting the play of right and left.
- 3) Turn the feed handle back and forth while checking the play.
- 4) Use a 4 mm Allen key to tighten / loosen hex. socket screws.
4 pieces of the hex. socket screws on the back side of the carriage block are for adjusting the play of back and forth.
- 5) Turn the feed handle back and forth while checking the play.
- 6) Tighten the stopper-knob.

7.4 Attaching a core bit

WARNING

- Make sure the drill motor is switched off and disconnected from the power supply.
- Never use the drill motor's power to attach a core bit.

CAUTION

Wear protective gloves when changing a core bit. A core bit becomes hot as a result of use. It may have sharp edges.

NOTE

- Use core bits in conformity with EN13236 and/or EN12413.
- For safety reason, each damaged (cracked) bit must be replaced.
- Leaving a core bit attached to the spindle may cause adherence of the core bit to the spindle. Using a quick disconnect tool such as the Slider may help to avoid such adherence.

Attach a core bit to the spindle firmly and securely by rotating the core bit.

Ensure that the end surface of the core bit is aligned with the surface of the spindle, so that the core bit can not be tightened any further.

7.5 Setting a water collection ring

WARNING

- Make sure the drill motor is switched off and disconnected from the power supply.
- Refer to the manual of the water collection ring.

Follow the procedure below.

- 1) Place a water collection ring.
- 2) Pull the beams.
- 3) Slide the beams on the ring.
- 4) Release the beams on the ring.

7.6 Preparation for water supply

CAUTION

- Ensure that the water hose is not entangled with the core bit or other moving parts.
- Ensure that the water hose has an enough length for the working stroke of the carriage block.
- Ensure that the water hose is not damaged.
- Check the water supply system to ensure there are no leaks.
- Never allow water to enter the drill motor.

NOTE

- The maximum water pressure is 3 bar.
- Use only water (tap water or fresh water).
- Maximum water temperature: 40 degrees C (104 degrees F).

Follow the procedure below.

- 1) Connect a water hose from a tap or a water supplying device to the Gardena connector / water cock of the drill motor.
- 2) Turn the swivel ring and adjust the hose position properly.

8. OPERATION

8.1 Precautions for the drilling operation

⚠ DANGER

- **The following instructions are essential safety measures that you must follow.**
- **Improper use may lead to death or serious injury to the operators and/or others.**

Ensure the following before plugging in.

8.1.1 General

- Ensure that the operator has read and understood this manual.
- Ensure that the operator wears proper protective clothing such as a hard hat, protective glasses, hearing protection, dust mask, protective gloves, and non-skid safety shoes. Long hair must be tied up.
- Depending on the applicable standard, take care not to stay in the environment which exceeds the allowable sound level for a long time.
- Confirm that the core bit is attached to the spindle properly. When it is misaligned or loose, attach it again.
- Take care not to get your face close to the air outlet.
- Do not insert your hands, arms, face, and other body parts in the working range of the carriage block.

8.1.2 Electrical safety

- Never use this machine without a PRCD, GFCI or RCD.
- Do not drill in an upward from the horizontal. Water may leak in the motor.
- When drilling walls, a proper water collection device must be used.
- Check that the power supply voltage is the voltage shown on the model name plate label of the power tool. If the voltage is low, the current likely increases therefore the circuit protector trips frequently.
- Secure enough current for the machine.
- Use a correctly functioning generator or transformer.
- When powered by a generator or transformer, the generator or transformer's power output must be at least 2.4 kVA (110-120 V) or 2.6 kVA (220-240 V).
- Make sure that there is no damage on the power plug, cord, and power outlet. If there is any damage, contact a Shibuya authorized dealer for repair.
- Never turn on the drill motor while the extension cords are circularly bundled. The circularly bundled extension cords may act as a coil which generates a magnetic field and heat.
- Before connecting to the power supply, make sure that the main switch is in OFF (0) position. If the main switch is in ON (I) position, the drill motor unintentionally starts off when applying current, which may lead to injury to the operator or others.

8.1.3 Others

- Ensure that the following portions are firmly installed;
 - a) Base and the surface of the material to be drilled.
 - b) Column and carriage block.
- Ensure that power cord, water hose, and operator's protective clothing are not touching the core bit.
- Ensure that the air inlet of the drill motor which is located on the top side of the motor is not blocked. Insufficient cooling may lead to damage of the motor.
- Ensure that any adjusting keys, wrenches, and spanners are not attached to the machine before starting the operation and while in operation.

8.2 Operating procedure

8.2.1 Start drilling

⚠ DANGER

- **Ensure that the operator (s) stand firmly, and keep people away from the working area before starting.**
- **For penetration works, ensure to have proper protection for the operators as well as the people and property at the opposite side of the wall or down floor.**

- **Keep your hands and other body parts away from rotating parts while the drill motor is running.**
 - **Do not apply too much pressure to the feed handle at the start of drilling. Rapid start of drilling may shatter segments of the core bit and the pieces may cause injuries. Gradually increase the pressure until stable feeding rate.**
 - **Do not touch the metal parts of the feeding handle except the ball knob(s). It may cause electric shock and pinching fingers.**
-

Follow the procedure below.

- 1) Insert the plug into the power outlet via a PRCD, GFCI or RCD.
For the use of a PRCD, GFCI and RCD, refer to the clause 6.1.
- 2) Open the water cock to start supplying water.
- 3) Turn on the main switch to start the drill motor.
- 4) Loosen the stopper-knob, and start feeding the carriage block by turning the feed handle until the core bit contacts with the drilling surface.
- 5) When the tip of the core bit comes into contact, apply only light pressure until the segments of core bit completely get into the material. Then, gradually increase the pressure until stable feeding rate.

8.2.2 Restart after the circuit protector trips

WARNING

The main switch still remains at ON (I) position even after the drill motor is forced to shut off due to situations such as the electric power failure. To avoid unintentional restart of the motor, ensure to turn off (O) the main switch immediately, after the motor is forced to shut off.

This drill motor is equipped with a circuit protector to protect the motor. The circuit protector trips when it detects overcurrent during the operation.

To restart the drill motor, turn on the main switch again. Adjust the feed pressure so that the circuit protector does not trip.

8.2.3 Core bit jamming

WARNING

- **Make sure the drill motor is switched off and disconnected from the power supply.**
-

If the core bit is jammed, follow the procedure below to remove the concrete core before restarting the drill motor.

- 1) Close the water cock to stop water supply.
- 2) Unplug the drill motor from the power supply.
- 3) Remove the concrete core.
- 4) Insert the plug into the power outlet via a PRCD, GFCI or RCD again.
For the use of a PRCD, GFCI and RCD, refer to the clause 6.1.
- 5) Open the water cock to start supplying water.
- 6) Turn on the main switch to restart the drill motor.

8.2.4 Stop drilling

WARNING

Do not let the water and/or concrete slurry splash on the drill motor, cable, plug, and the power supply.

Follow the procedure below.

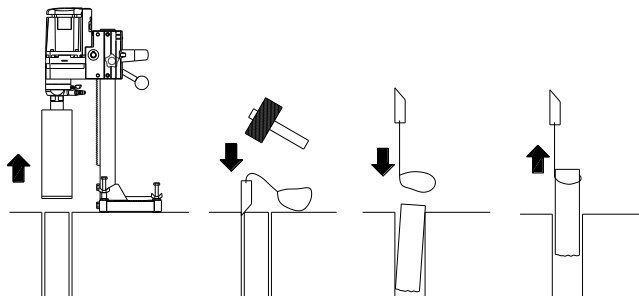
- 1) When the core bit reaches the desired depth, turn the feed handle backwards to pull out the core bit from the surface of the drilling object.
- 2) Tighten the stopper-knob to fix the carriage block on the column.
- 3) Turn off the main switch to stop the drill motor.
- 4) Close the water cock to stop water supply.
- 5) Unplug the drill motor, and then remove the core bit from the spindle.
- 6) Loosen the stopper-knob, and turn the feed handle to pull up the carriage block until the upper end of the column.
- 7) Lift up and remove the drill motor with the carriage block from the column.
- 8) Remove the drill stand from the surface of the drilling object.

8.2.5 Remove cores with the core removal lasso

⚠ WARNING

- The core removal lasso is designed for concrete core removal purpose only. Never use it for any other purposes.
- Even though this tool has enough wire length to pull up 250 mm (10") diameter cores, the maximum applicable core size depends on the weight and length of the core, and situations.

Follow the procedure shown in the illustration below.



9. CLEANING

⚠ WARNING

- Always disconnect the drill motor from power supply before starting any maintenance, cleaning, and inspection.
- Never immerse the drill motor in water or any other kind of liquid. It may cause electric shocks to the operator and others, and short circuit of the motor.

Cleaning procedure is following.

- 1) Ensure that the drill motor is unplugged from power supply, before start cleaning.
- 2) Wipe off each part of the drill motor with a wet towel which was tightly wrung.
- 3) Wipe off each part of the drill stand with a wet towel.
- 4) Wash away concrete slurry stuck on the base, the leveling bolts, and the column.
- 5) Rub each part of the machine with a dry cloth.

10. ACCESSORIES (OPTION)

Following items are available as optional accessories.

- 1 : Water Tank
- 2 : Water collection rings.

11. MAINTENANCE

⚠ WARNING

- Make sure the drill motor is switched off and disconnected from the power supply.
- Use only genuine Shibuya spare parts for the maintenance written in this manual.
- Repairs excluding the maintenance written in this manual must be carried out by qualified, skilled personnel. The safety of the power tool can thus be maintained.

11.1 Replacing the carbon brushes

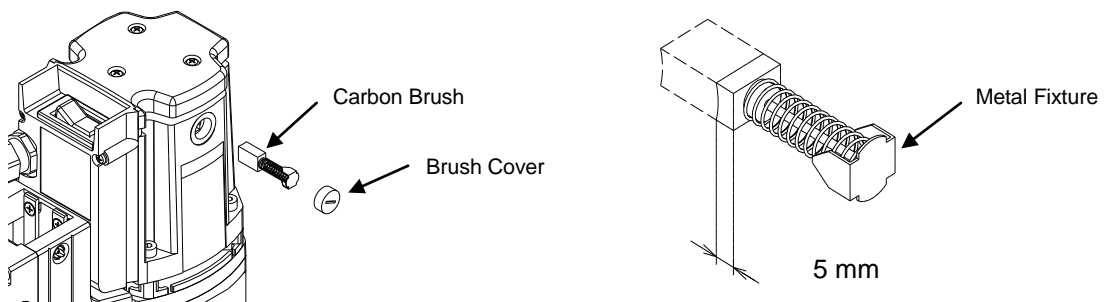
Inspect the remaining length of the carbon brushes every 100 operating hours. If the carbon brushes are worn down to 5 mm or less, replace them with new carbon brushes. Ensure to replace both sides of carbon brushes as a pair.

NOTE

Always replace both carbon brushes as a pair. Use Shibuya genuine carbon brushes (carbon brush: 043899).

Follow the procedure below.

- 1) Loosen the brush cover with a Flat-bladed screwdriver, and remove the brush cover.
- 2) Pull out the carbon brush.
- 3) Insert a carbon brush into the brush holder.
- 4) Pay attention to the direction of the metal fixture, and fix the brush cover with the screw driver.



12. TRANSPORT AND STORAGE

⚠ WARNING

Store the machine in a lockable area. Keep out of reach of children and unauthorized persons.

NOTE

- Never store the machine at the place where the ambient temperature is below 0 degrees C (32 degrees F) or above 40 degrees C (104 degrees F). Also, never store the machine where the ambient pressure is below 80 kPa (12 psi). Store the machine in dry conditions.
- Keep the feed handle and the grip handle dry, clean, and free from oil and grease.
- Transport the drill motor, the drill stand and the core bit as separate units. Hold the drill motor (with carriage block) tightly by the grip handle.

13. TROUBLESHOOTING

| Trouble | What to do first | Possible Causes | Countermeasures |
|---|---|--|---|
| The drill motor does not start. | (1) Turn off the main switch. (2) Turn off the PRCD (220-240V) and unplug the drill motor from the power supply. | Fault in the electric supply | Plug the drill motor into another power supply and check whether the drill motor works. Check the extension cord, RCD/GFCI/PRCD, power supply, and the outlet. Replace them if necessary. |
| | | Other power tools are plugged into the power supply. | Disconnect the other power tools from the power supply. Secure at least 2.4 kVA(110-120V) or 2.6kVA(220-240V) for the drill motor. |
| | | The power cable/plug is damaged. | Contact a Shibuya authorized dealer. |
| | | The main switch is damaged. | Contact a Shibuya authorized dealer. |
| | | The armature/field coil is damaged. | Contact a Shibuya authorized dealer. |
| | | The carbon brushes are worn out. | Replace the carbon brushes. |
| The motor runs, but the core bit does not revolve well / abnormal noises. | (1) Turn off the main switch. (2) Turn off the PRCD (220-240V) and unplug the drill motor from the power supply. (3) Check the core bit. | The PRCD is turned off. | Turn on the PRCD. |
| | | The clutch is worn or loose. | Contact a Shibuya authorized dealer. |
| | | Gears are worn or damaged. | Contact a Shibuya authorized dealer. |
| | | Fragments of working materials such as rebar, concrete, stones are jammed between the core bit and the drilled material. | Remove the concrete core from the core bit. |
| The drill motor shuts off during the operation. | (1) Check whether the circuit protector tripped. (2) Check whether the PRCD tripped (220-240V). (3) Unplug the drill motor from the power supply. | If the circuit protector tripped, the drill motor was overloaded due to apply too much feed pressure. | Restart the drilling, and take care not to apply too much feed pressure. |
| | | If the PRCD tripped, electric leakage was detected or voltage was dropped. | Contact a Shibuya authorized dealer, or an electrical engineer. |
| | | Electric power failure | Check the electric supply with electrical engineer. |
| Water leaks from the water leakage hole / swivel ring / spindle shaft. | (1) Turn off the main switch. (2) Turn off the PRCD (220-240V) and unplug the drill motor from the power supply. DO NOT TOUCH THE POWER PLUG WITH WET HANDS. | Oil seals are worn. | Contact a Shibuya authorized dealer. |
| | | Water pressure is too high. | Reduce the water pressure to less than 3 bar. |
| The core bit can not be attached to the spindle. | (1) Check the core bit threads and the spindle threads. | The core bit thread is blocked with dirt or damaged. | Clean the thread, or replace the bit if necessary. |
| | | The spindle thread is blocked with dirt or damaged. | Clean the thread. If the spindle was damaged, contact a Shibuya authorized dealer. |
| Drilling performance goes down | (1) Turn off the main switch. (2) Turn off the PRCD (220-240V) and unplug the drill motor from the power supply. (3) Check the drainage water from the drilling hole. (4) Check the water supply | If the water contains iron powders, the machine is cutting the rebar(s). | Restart the drilling, and take care not to apply too much feeding pressure. |
| | | Insufficient coolant water | Increase the amount of water supply. |
| | (5) Check the core bit. | The core bit is worn out, damaged, or defected. | Replace with a new core bit. |
| | | The core bit segments are glazed. | Contact the core bit seller to ask proper sharpening methods. |
| | | Aggregate of concrete is too hard. | Use a core bit with softer segments. |
| | | Maximum drilling depth is reached. | Remove the core and use an extension bar for core bits. |
| | (6) Jolt the drill motor / stand / core bit to see if it shakes. | The base is not securely fixed to the working material. | Set up the machine again. Redo anchoring securely / Adjust the leveling bolts properly. |
| | | There is play between the carriage block and the column. | Adjust the carriage block. |
| | | Screws which are fastening the base and column are loosened. | Tighten the screws. |
| | (7) Check for the axial runout of the spindle. | Axial runout of the spindle is observed. | Contact a Shibuya authorized dealer. |

14. DISPOSAL



Do not dispose of this machine with domestic waste. Follow your national law.

With regard to environmental aspects, allowing drilling slurry to flow directly into rivers, lakes or the sewerage system without suitable pre-treatment is problematical. Ask your local authorities for applicable regulations.

15. LIMITED WARRANTY

Every Shibuya product is thoroughly inspected and tested before leaving the factory. Should any trouble develop, return the complete machine prepaid to your nearest Shibuya authorized dealer. If inspection shows the trouble is caused by defective workmanship or material, all repairs will be made without charge and the machine will be returned.

This warranty does not apply where;

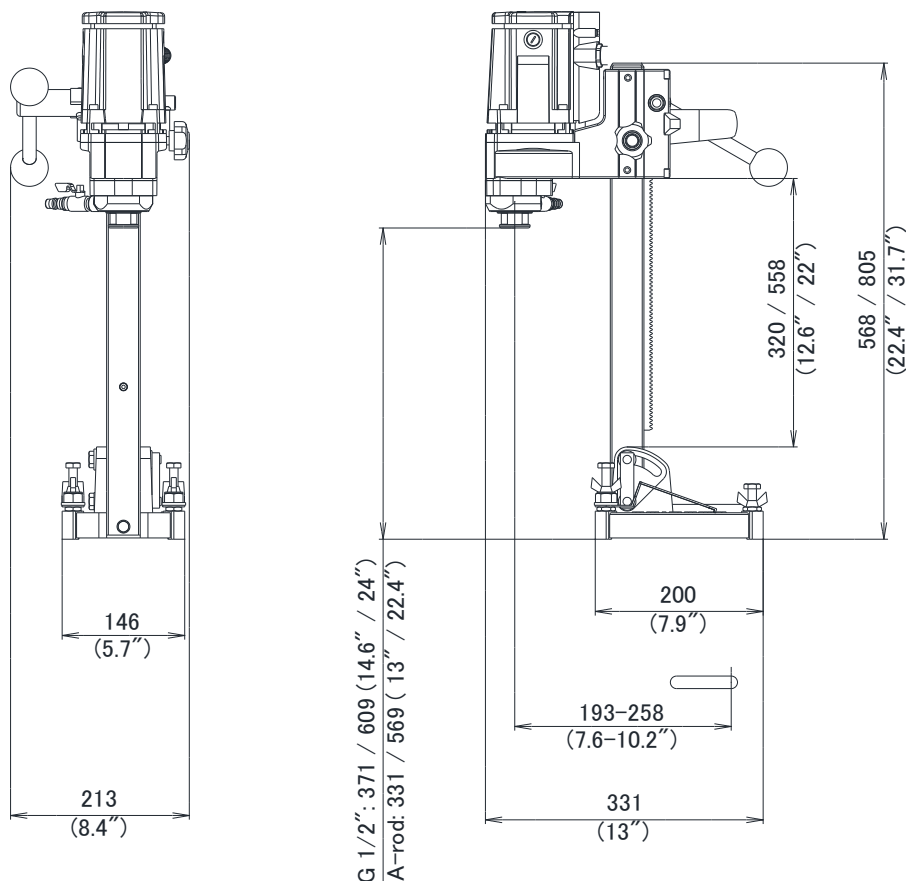
- 1) Repairs or attempted repairs have been made by persons other than Shibuya authorized dealer.
- 2) Repairs are required because of normal wear.
- 3) The machine has been involved in an accident.
- 4) The machine has been misused.
- 5) The machine has been used after partial failure or normal wear.
- 6) The machine has been modified or used with improper accessories
- 7) The machine expires its warranty period of 1 year upon receipt of the machine.

No other warranty, written or verbal is authorized.

16. DIMENSIONS

Unit: mm [inch]

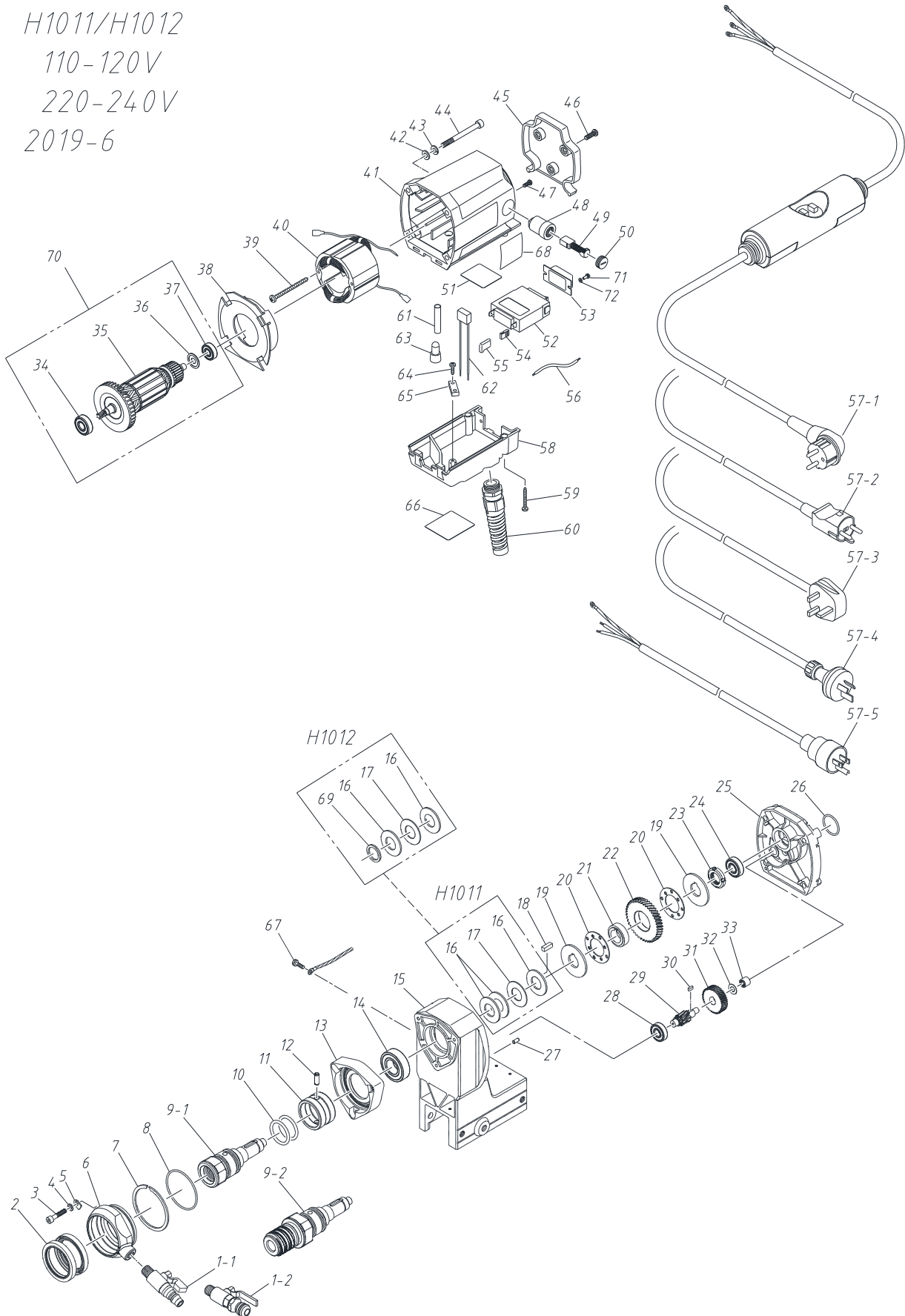
TS-095(AB42) 560L / 800L



17. PARTS LISTS

H1011/H1012 DRILL MOTOR

H1011/H1012
 110-120V
 220-240V
 2019-6



H1011/H1012 DRILL MOTOR

| POS | PART NAME | NOTE | QTY | CPT CODE |
|------|-----------------------|-----------------|-----|----------|
| 1-1 | WATER COCK-SHIBUYA | 1/4-φ 16 | 1 | 000061 |
| 1-2 | WATER COCK GARDENA | | 1 | 044137 |
| 2 | OIL SEAL | HMSA42557 (SUS) | 2 | 042178 |
| 3 | HEX. SOCKET BOLT | M5 × 25 | 3 | 042179 |
| 4 | SPRING WASHER | 5 | 3 | 042180 |
| 5 | SUPPORT RING | | 3 | 043872 |
| 6 | SWIVEL RING | | 1 | 051907 |
| 7 | SNAP RING | SA60 | 1 | 043874 |
| 8 | O-RING | S53 | 1 | 043875 |
| 9-1 | SPINDLE (G1/2) | | 1 | 043906 |
| 9-2 | SPINDLE (A) | | 1 | 043905 |
| 10 | O-RING | P28 | 2 | 000070 |
| 11 | SEAL RING | | 1 | 042139 |
| 12 | SPRING PIN | 6 × 12AW (SUS) | 1 | 000004 |
| 13 | FIXING RING | | 1 | 051908 |
| 14 | BALL BEARING | 6004DDU | 1 | 001701 |
| 15 | DRILL HEAD CHASSIS | | 1 | 051909 |
| 16 | SPRING PLATE | MDS18-2 | 3 | 000014 |
| 17 | SPRING PLATE | MDS18-1 | 1 | 000015 |
| 18 | PARALLEL KEY | 5 × 5 × 15 | 1 | 008118 |
| 19 | CLUTCH | | 2 | 043879 |
| 20 | WASHER | | 2 | 042146 |
| 21 | METAL | | 1 | 043880 |
| 22-1 | NO.4 GEAR | H1011 | 1 | 043881 |
| 23 | FU NUT | FU03SC | 1 | 006521 |
| 24 | BALL BEARING | 6000ZZ | 1 | 000112 |
| 25 | BALL BEARING COVER | | 1 | 051912 |
| 26 | O-RING | S26 | 1 | 043883 |
| 27 | PARALLEL PIN | B4 × 10 | 1 | 005449 |
| 28 | BALL BEARING | 609ZZ | 1 | 041724 |
| 29-1 | NO.3 GEAR | H1011 | 1 | 043884 |
| 30 | PARALLEL KEY | 3 × 3 × 8 | 1 | 043885 |
| 31 | NO.2 GEAR | | 1 | 043886 |
| 32 | SHIM RING | SP-007050 | 1 | 043887 |
| 33 | NEEDLE BEARING | TLA 79Z/HK0709 | 1 | 043888 |
| 34 | BALL BEARING | 6000DDW | 1 | 043889 |
| 35-1 | ARMATURE 220-240V | | 1 | |
| 35-2 | ARMATURE 110-120V | | 1 | |
| 36 | COLLAR | | 1 | 043891 |
| 37 | BALL BEARING | 608VV | 1 | 043892 |
| 38 | FAN CASING | | 1 | 043893 |
| 39 | TAPPING SCREW PANHEAD | 5 × 60 | 2 | 042154 |

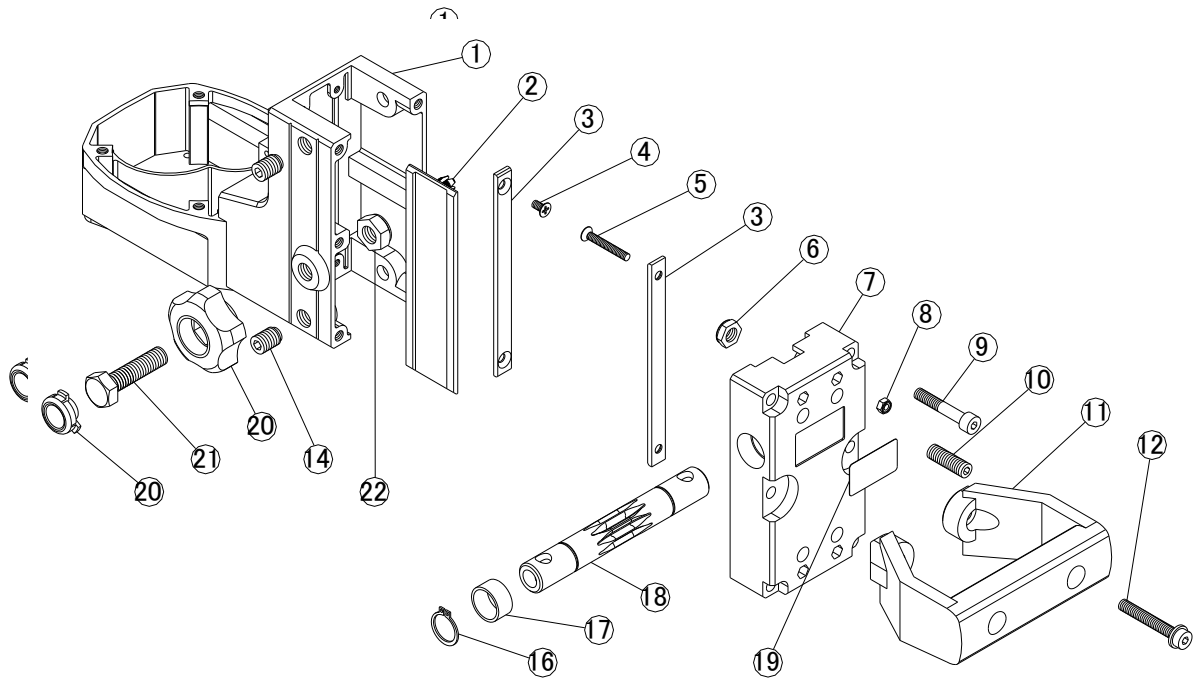
H1012 (2000rpm) : Following parts are different from H1011.

| POS | PART NAME | NOTE | QTY | CPT CODE |
|------|--------------------------------|---------|-----|----------|
| 16 | SPRING PLATE | MDS18-2 | 2 | 000014 |
| 22-2 | NO.4 GEAR | H1012 | 1 | 043908 |
| 29-2 | NO.3 GEAR | H1012 | 1 | 043907 |
| 51-3 | MOTOR NAME PLATE (IN) 220-240V | H1012 | 1 | |

| POS | PART NAME | NOTE | QTY | CPT CODE |
|------|---------------------------------|------------------|-----|----------|
| 40-1 | FIELD COIL 220-240V | | 1 | 052563 |
| 40-2 | FIELD COIL 100-120V | | 1 | 043894 |
| 41 | MOTOR HOUSING | | 1 | 051914 |
| 42 | WASHER | ROUND 6 | 4 | 042157 |
| 43 | SPRING WASHER | 2-6 | 4 | 042158 |
| 44 | HEX. SOCKET BOLT | M6 × 55 | 4 | 042159 |
| 45 | TAIL COVER | | 1 | 051915 |
| 46 | TAPPING SCREW PANHEAD | 5 × 16 | 3 | 043897 |
| 47 | TAPPING SCREW PANHEAD | 4 × 10 | 2 | 005498 |
| 48 | BRUSH HOLDER | | 2 | 043898 |
| 49 | CARBON BRUSH | | 2 | 043899 |
| 50 | BRUSH COVER | | 2 | 043900 |
| 51-1 | MOTOR NAME PLATE (IN) 220-240V | | 1 | |
| 51-2 | MOTOR NAME PLATE (IN) 110-120V | | 1 | |
| 52-1 | CIRCUIT PROTECTOR 220-240V | NRAR1100-7.5AAA | 1 | 001943 |
| 52-2 | CIRCUIT PROTECTOR 110-120V | NRAR1100-15AAA | 1 | 001944 |
| 53 | DUST COVER | NRAR | 1 | 000131 |
| 54 | FASTEN TERMINAL FLAG 250 | | 2 | 043124 |
| 55 | CAP FLAG 250 | | 2 | 043125 |
| 56 | LEAD WIRE | | 2 | 000060 |
| 57-1 | PLUG WITH CABLE & PRCD | 220-240V EU/ASIA | 1 | 042218 |
| 57-2 | PLUG WITH CABLE & PRCD | 220-240V DK | 1 | 042783 |
| 57-3 | PLUG WITH CABLE & PRCD | 220-240V SA | 1 | 050972 |
| 57-4 | PLUG WITH CABLE & PRCD | 220-240V AU | 1 | 051174 |
| 57-5 | PLUG WITH CABLE | 110-120V US/TW | 1 | 042781 |
| 58 | SWITCH BOX | | 1 | 051917 |
| 59 | SCREW PANHEAD B TIGHT | 4 × 30 | 2 | 042171 |
| 60 | CABLE SLEEVE | | 1 | 042690 |
| 61 | INSULATION TUBE | φ 8 × 40 | 1 | 042174 |
| 62 | CONDENSER | 0.1μ F/220-240V | 1 | 000059 |
| 63 | CLOSED-END CONNECTOR | 5.5SD | 2 | 000055 |
| 64 | TAPPING SCREW PANHEAD | 4 × 16 | 2 | 005495 |
| 65 | CORD FIXER | | 1 | 042177 |
| 66-1 | MOTOR NAME PLATE (OUT) 220-240V | | 1 | |
| 66-2 | MOTOR NAME PLATE (OUT) 110-120V | | 1 | |
| 67 | SCREW PANHEAD W/SW | M4 × 10 | 1 | 000690 |
| 68 | LABEL | | 1 | 052182 |
| 70-1 | ARMATURE ASSY 220-240V | 34+35+36+37 | 1 | 052562 |
| 70-2 | ARMATURE ASSY 110-120V | 34+35+36+37 | 1 | 052561 |
| 71 | SCREW PANHEAD W/SW | M3 × 8 | 2 | 043093 |
| 72 | WASHER | 3 | 2 | 043094 |

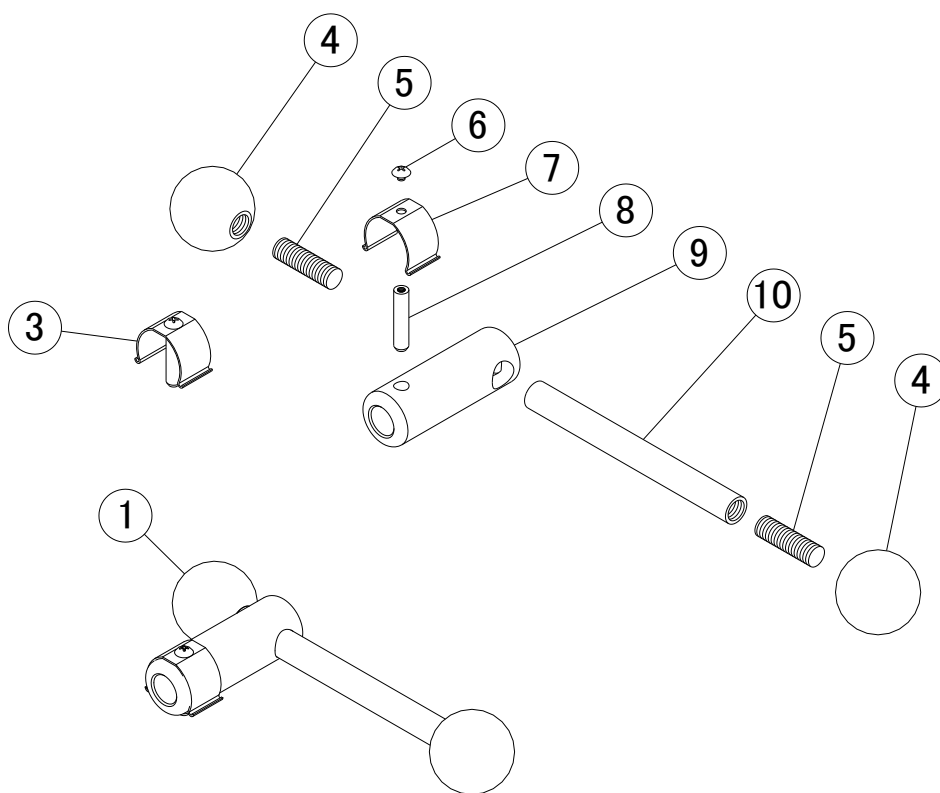
| POS | PART NAME | NOTE | QTY | CPT CODE |
|------|---------------------------------|-------|-----|----------|
| 51-4 | MOTOR NAME PLATE (IN) 110-120V | H1012 | 1 | |
| 66-3 | MOTOR NAME PLATE (OUT) 220-240V | H1012 | 1 | |
| 66-4 | MOTOR NAME PLATE (OUT) 110-120V | H1012 | 1 | |
| 69 | RING | | 1 | 042678 |

CARRIAGE BLOCK FOR H1011/H1012



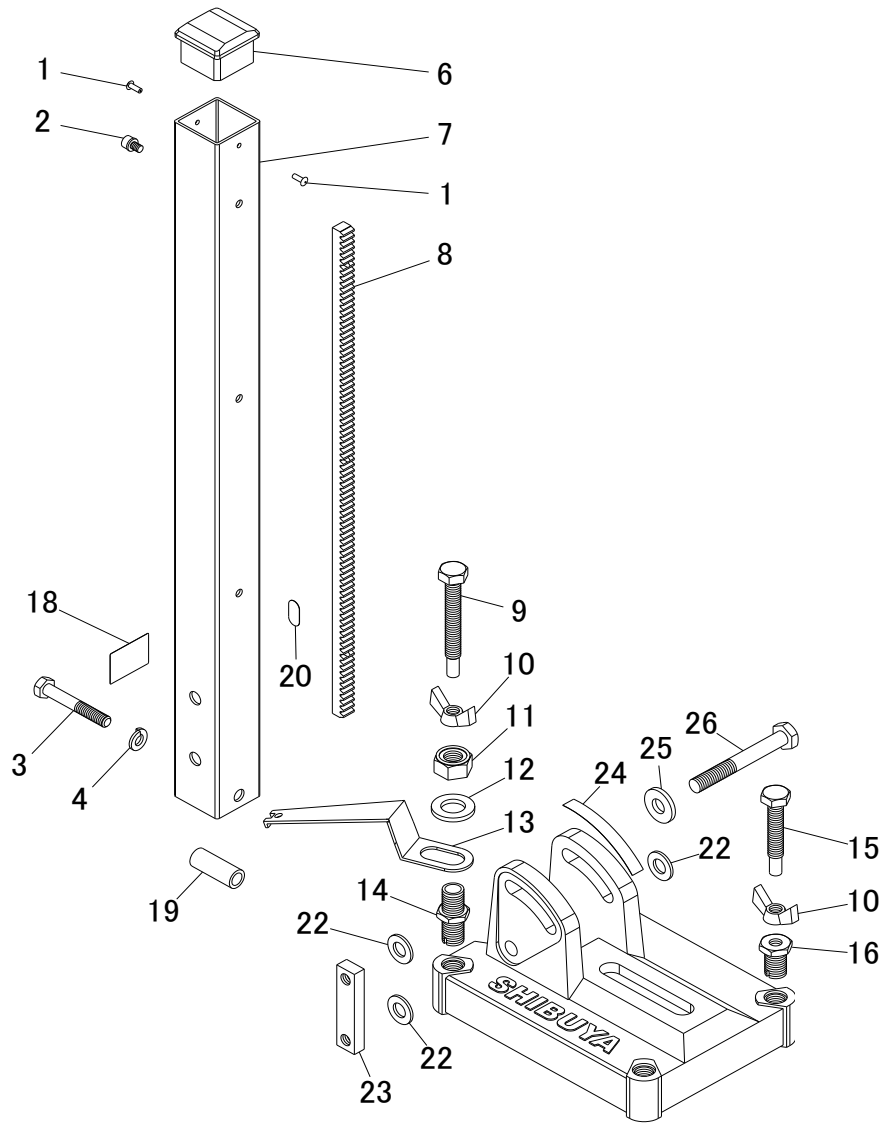
| POS | PART NAME | NOTE | QTY | CPT CODE |
|-----|--------------------------|-------------------|-----|----------|
| 1 | DRILL HEAD CHASSIS | | 1 | 051909 |
| 2 | SLIDE PLATE | | 1 | 043535 |
| 3 | ADEJUTMENT PLATE 1 | | 4 | 043532 |
| 4 | TRUSS HEAD SCREW | M4 × 8 | 4 | 043533 |
| 5 | TRUSS HEAD SCREW | M4 × 30 | 4 | 001815 |
| 6 | U-NUT | M8-3 | 4 | 043293 |
| 7 | BACK COVER | | 1 | 043537 |
| 8 | NYLON NUT | M4 | 4 | 000481 |
| 9 | HEX. SOCKET BOLT | M6 × 35 | 4 | 043540 |
| 10 | CYLINDRICAL SCREW | M8 × 25 | 4 | 043538 |
| 11 | GRIP HANDLE | | 1 | 043539 |
| 12 | HEX. SOCKET BOLT FLANGED | M6 × 40 | 2 | 043541 |
| 14 | CYLINDRICAL SCR W/PAD | M10 × 12 | 2 | 043536 |
| 16 | SNAP RING-C | 17 | 2 | 000272 |
| 17 | RING BUSH | | 2 | 043544 |
| 18 | PNION GEAR SHAFT | | 1 | 043542 |
| 19 | LABEL | | 1 | |
| 20 | STOPPER KNOB | M10 | 1 | 042268 |
| 21 | HEX. BOLT | M10 × 40 (COPPER) | 1 | 042267 |
| 22 | U-NUT | 3-M10 | 2 | 043045 |

QUICK RELEASE HANDLE



| POS | PART NAME | NOTE | QTY | CPT CODE |
|-----|-----------------------|-------------|-----|----------|
| 1 | Q.R. HANDLE CPL. (AL) | | 1 | 043546 |
| 3 | RETAINER COMPLETE | | 1 | 006095 |
| 4 | GRIP BALL DIA. 45 | | 2 | 042113 |
| 5 | THREADED BOLT | M12 × 40 | 2 | 042116 |
| 6 | SCREW | M5 × 6(SUS) | 1 | 006091 |
| 7 | SPRING | | 1 | 006092 |
| 8 | PIN | | 1 | 006093 |
| 9 | HANDLE BODY (AL) | | 1 | 042115 |
| 10 | HANDLE ROD (AL) L150 | | 1 | 043548 |

AB42 SWIVEL BASE AND COLUMN 560L AND 800L



| POS | PART NAME | NOTE | QTY | CPT CODE |
|-----|----------------------|-------------------|-----|----------|
| 1 | RIVET (AL) | NSA 4-4 | 2 | 042108 |
| 2 | HEX SOCKET BOLT W/SW | M5 × 8 | 4 | 043564 |
| 3 | HEX. BOLT | M8 × 55 | 2 | 043557 |
| 4 | SPRING WASHER | 2-8 | 2 | 000283 |
| 6 | TOP PLATE | | 1 | 052001 |
| 7 | COLUMN (800L) | | 1 | 043586 |
| | COLUMN (560L) | | 1 | 043584 |
| 8 | RACK (800L) | | 1 | 043589 |
| | RACK (560L) | | 1 | 043563 |
| 9 | LEVELING BOLT(F) M10 | | 2 | 043555 |
| 10 | FLANGE NUT | 2-M10 | 4 | 042096 |
| 11 | U-NUT | 1-M14 × 1.5 | 2 | 043568 |
| 12 | PLAIN WASHER | POLISHED ROUND 14 | 2 | 043569 |
| 13 | BEAM | | 2 | 043570 |
| 14 | HEX BOSS(F) M10 | | 2 | 043553 |

| POS | PART NAME | NOTE | QTY | CPT CODE |
|-----|---------------------------|-------------------|-----|----------|
| 15 | LEVELING BOLT(R) M10 | | 2 | 043556 |
| 16 | HEX BOSS(R) M10 | | 2 | 043554 |
| 18 | WEIGHT LABEL | | 1 | |
| 19 | PIPE BOSS | | 1 | 043865 |
| 20 | INDICATION LABEL | | 1 | 000732 |
| 22 | PLAIN WASHER | POLISHED ROUND 10 | 3 | 001520 |
| 23 | PLATE 40 | | 1 | 006024 |
| 24 | ANGLE SCALE | | 1 | 006021 |
| 25 | WASHER | W3/8(t3.2) | 1 | 006022 |
| 26 | HEX. BOLT | M10 × 80(10.9) | 2 | 006023 |
| | AB42 SWIVEL BASE CPL. | | | 043577 |
| | COLUMN CPL. 800L FOR AB42 | | | 052512 |
| | COLUMN CPL. 560L FOR AB42 | | | 052511 |

EU DECLARATION OF CONFORMITY

SHIBUYA COMPANY, LTD.

5-86, MOKUZAIKO-KITA, HATSUKAICHI, HIROSHIMA 738-0021 JAPAN

declares, in sole responsibility, that the following equipment

Drill Stand Model TS-095(AB42) with H1011 Drill Motor (220-240 V), Country of Origin: Japan

Drill Stand Model TS-095(AB42) with H1012 Drill Motor (220-240 V), Country of Origin: Japan

Serial No.:

Referred to in this declaration conforms with the following directive(s):

Machinery Directive **2006/42/EC**, Annex I, Annex IIA

Harmonized standards: EN 62841-1:2015, EN 62841-3-6:2014

EN ISO 12100:2010

EMC Directive **2014/30/EU**

Harmonized standards: EN 55014-1:2006+A1:2009+A2:2011, EN 55014-2:1997+A1:2001+A2:2008

EN 61000-3-2:2014, EN 61000-3-3:2013, EN 61000-3-11:2000

RoHS Directive **2011/65/EU**

Authorized representative / Importer in UK;

DYMATEC LTD

Units 11-14 Cemetery Road, Houghton Regis, Bedfordshire, LU5 5BZ, United Kingdom

Mr. Jeremy David Newton

The person authorized to compile the technical file;

Mr. Jeremy David Newton

Units 11-14 Cemetery Road, Houghton Regis, Bedfordshire, LU5 5BZ, United Kingdom

Note: This declaration becomes invalid if technical or operational modifications are introduced without the manufacturer's consent.

Hiroshima, 6/2019

Kazuyoshi Shibuya, Director

SHIBUYA COMPANY, LTD.

EU DECLARATION OF CONFORMITY

SHIBUYA COMPANY, LTD.

5-86, MOKUZAIKO-KITA, HATSUKAICHI, HIROSHIMA 738-0021 JAPAN

declares, in sole responsibility, that the following equipment

Drill Stand Model TS-095(AB42) with H1011 Drill Motor (220-240 V), Country of Origin: Japan

Drill Stand Model TS-095(AB42) with H1012 Drill Motor (220-240 V), Country of Origin: Japan

Serial No.:

Referred to in this declaration conforms with the following directive(s):

Machinery Directive **2006/42/EC**, Annex I, Annex IIA

Harmonized standards: EN 62841-1:2015, EN 62841-3-6:2014

EN ISO 12100:2010

EMC Directive **2014/30/EU**

Harmonized standards: EN 55014-1:2006+A1:2009+A2:2011, EN 55014-2:1997+A1:2001+A2:2008

EN 61000-3-2:2014, EN 61000-3-3:2013, EN 61000-3-11:2000

RoHS Directive **2011/65/EU**

Authorized representative / Importer in UK;

DIAQUIP

Unit 1, Whitefield Road Ind. Est, Bredbury, Stockport SK6 SQR. United Kingdom

The person authorized to compile the technical file;

Mr. Jonathan Shaw

Unit 1, Whitefield Road Ind. Est, Bredbury, Stockport SK6 SQR. United Kingdom

Note: This declaration becomes invalid if technical or operational modifications are introduced without the manufacturer's consent.

Hiroshima, 6/2019

Kazuyoshi Shibuya, Director

SHIBUYA COMPANY, LTD.

DECLARATIE DE CONFORMITATE EU

SHIBUYA COMPANY, LTD.
5-86, MOKUZAIKO-KITA, HATSUKAICHI, HIROSHIMA 738-0021 JAPAN
declară pe proprie răspundere că următoarele echipamente :

Stand de carotare TS-095(AB42) cu Motor de carotare H1011 (220-240 V), tara de origine: Japonia
Stand de carotare TS-095(AB42) cu Motor de carotare H1012 (220-240 V), tara de origine: Japonia

Seria Nr.:

Respecta urmatoarele directive europene:

Directiva **2006/42/EC**, Annex I, Annex IIA privind echipamentele tehnice

Standardele armonizate : EN 62841-1:2015, EN 62841-3-6:2014

EN ISO 12100:2010

Directiva EMC **2014/30/EU**

Standardele armonizate: EN 55014-1:2006+A1:2009+A2:2011, EN 55014-2:1997+A1:2001+A2:2008

EN 61000-3-2:2014, EN 61000-3-3:2013, EN 61000-3-11:2000

Directiva RoHS **2011/65/EU**

Reprezentant autorizat/Importator in Romania:

ANTREPRIZA CONTRACTON SRL
STR. FRUMUSANI, NR. 12, BL. 100, SC.2, AP 63,
SECTOR 4, BUCURESTI, ROMANIA
MR. DANIEL TELER

Persoana autorizata sa intocmeasca fisa tehnica:

MR. DANIEL TELER
STR. FRUMUSANI, NR. 12, BL. 100, SC.2, AP 63,
SECTOR 4, BUCURESTI, ROMANIA

Nota: Această declarație devine nulă în cazul în care modificările tehnice sau operaționale sunt introduse fără acordul producătorului.

Hiroshima, 6/2019
Kazuyoshi Shibuya, Director
SHIBUYA COMPANY, LTD.

UE – DEKLARACJA ZGODNOŚCI

SHIBUYA COMPANY, LTD.

5-86, MOKUZAIKO-KITA, HATSUKAICHI, HIROSHIMA 738-0021 JAPONIA

oświadcza, na własną i wyłączną odpowiedzialność, że następujący sprzęt:

Statyw wiertarki Model TS-095(AB42) z silnikiem H1011 (220-240 V), Kraj pochodzenia: Japonia

Statyw wiertarki Model TS-095(AB42) z silnikiem H1012 (220-240 V), Kraj pochodzenia: Japonia

Numer seryjny:

o którym mowa w niniejszej deklaracji spełnia następujące dyrektywy:

Dyrektywę Maszynową **2006/42/EC**, Annex I, Annex IIA

Ujednolicone normy: EN 62841-1:2015, EN 62841-3-6:2014

EN ISO 12100:2010

Dyrektywa dotyczy kompatybilności elektromagnetycznej **2014/30/EU**

Ujednolicone normy: EN 55014-1:2006+A1:2009+A2:2011, EN 55014-2:1997+A1:2001+A2:2008

EN 61000-3-2:2014, EN 61000-3-3:2013, EN 61000-3-11:2000

Dyrektywę RoHS **2011/65/EU**

Autoryzowany przedstawiciel / Importer w Polsce;

BETON-TECHNIK

Ul.28 Czewca 56r. Nr. 159/1, 61-505 Poznan, Polska

Osoba upoważniona do wykonania dokumentacji technicznej;

Pana Kazimierza Lewandowskiego

Ul.28 Czewca 56r. Nr. 159/1, 61-505 Poznan, Polska

Uwaga: Niniejsza deklaracja staje się nieważna jeśli bez zgody producenta wprowadzone zostały modyfikacje techniczne lub operacyjne.

Hiroshima, 6/2019

Kazuyoshi Shibuya, Dyrektor

SHIBUYA COMPANY, LTD.

EU SAMSVARSERKLÆRING

SHIBUYA COMPANY, LTD.
5-86, MOKUZAIKO-KITA, HATSUKAICHI, HIROSHIMA 738-0021 JAPAN
erklærer, på eget ansvar, at følgende utstyr:

Borstativ Modell TS-095(AB42) med H1011 motorenhet (220-240 V), Varens opprinnelsesland:Japan
Borstativ Modell TS-095(AB42) med H1012 motorenhet (220-240 V), Varens opprinnelsesland:Japan

Serienummer:

Nevnt i denne erklæring er i samsvar med følgende direktiv(er)

Maskin direktiv **2006/42/EC**, Annex I, Annex IIA

Harmonisert standard: EN 62841-1:2015, EN 62841-3-6:2014

EN ISO 12100:2010

EMC Direktiv **2014/30/EU**

Harmonisert standard: EN 55014-1:2006+A1:2009+A2:2011, EN 55014-2:1997+A1:2001+A2:2008

EN 61000-3-2:2014, EN 61000-3-3:2013, EN 61000-3-11:2000

RoHS Direktiv **2011/65/EU**

Importør i Norge

LEVANTO NORGE AS
PER KROHGS VEI 4C
1065 OSLO
NORWAY
MR. PATRICK SANDMAN
TLF : +47 22 90 61 50

Personen som er autorisert til å samle og dokumentere teknisk informasjon;

LEVANTO OY
Venevalkamantie 5, 02700 Kauniainen, Finland

Merk: Denne deklarasjonen blir ugyldig om tekniske eller operasjonelle modifikasjoner blir utført uten produsentens tillatelse.

Hiroshima, 6/2019
Kazuyoshi Shibuya, Direktør
SHIBUYA COMPANY, LTD.

EU OVERENSSTEMMELSESERKLÆRING

SHIBUYA COMPANY, LTD.
5-86, MOKUZAIKO-KITA, HATSUKAICHI, HIROSHIMA 738-0021 JAPAN
Erklærer hermed, under eget ansvar, at det følgende udstyr

Borestander Model TS-095(AB42) med H1011 Boremotor (220-240 V), Oprindelsesland: Japan
Borestander Model TS-095(AB42) med H1012 Boremotor (220-240 V), Oprindelsesland: Japan

Serienummer:

Henvist til I denne erklæring, er I overensstemmelse med retningslinjerne I nedennævnte direktiver:

Maskindirektiv **2006/42/EC**, Annex I, Annex IIA

Harmoniserede standarder: EN 62841-1:2015, EN 62841-3-6:2014
EN ISO 12100:2010

EMC-direktiv **2014/30/EU**

Harmoniserede standarder: EN 55014-1:2006+A1:2009+A2:2011, EN 55014-2:1997+A1:2001+A2:2008
EN 61000-3-2:2014, EN 61000-3-3:2013, EN 61000-3-11:2000

RoHS-direktiv **2011/65/EU**

Autoriseret repræsentant/forhandler og importør i DANMARK;

J.D. Diamantværktøj A/S
Glentevej 33, DK-4600 Køge, Denmark

Personen der er autoriseret til udarbejde/oversætte den tekniske fil;

Teknisk ansvarlig: Mr. Hans Henrik Danielsen
Glentevej 33, DK-4600 Køge, Denmark

Note: Denne erklæring anses for værende ugyldig, såfremt der er foretaget tekniske eller oprationelle modifikationer, uden producentens samtykke.

Hiroshima, 6/2019
Kazuyoshi Shibuya, Director
SHIBUYA COMPANY, LTD.

EY-VAATIMUSTENMUKAISUUSVAKUUTUS

SHIBUYA COMPANY, LTD.

5-86, MOKUZAIKO-KITA, HATSUKAICHI, HIROSHIMA 738-0021 JAPANI

vakuuttaa omalla vastuullaan, että tässä vakuutuksessa mainitut laitteet:

Porakonejalusta, malli TS-095(AB42), H1011-moottorilla (220-240 V) varustettu porakone, alkuperämaa: Japani
Porakonejalusta, malli TS-095(AB42), H1012-moottorilla (220-240 V) varustettu porakone, alkuperämaa: Japani

Sarja No.:

ovat seuraavan direktiivin (seuraavien direktiivien) mukaisia:

Konedirektiivi **2006/42/EC**, Annex I, Annex IIA

Yhdenmukaiset standardit: EN 62841-1:2015, EN 62841-3-6:2014

EN ISO 12100:2010

EMC-direktiivi **2014/30/EU**

Yhdenmukaiset standardit: EN 55014-1:2006+A1:2009+A2:2011, EN 55014-2:1997+A1:2001+A2:2008

EN 61000-3-2:2014, EN 61000-3-3:2013, EN 61000-3-11:2000

RoHS-direktiivi **2011/65/EU**

Valtuutettu edustaja Suomessa;

LEVANTO OY

Venevalkamantie 5, 02700 Kauniainen, Suomi

Teknillisten tiedostojen kääntämiseen valtuutettu henkilö;

Patrick Sandman

Venevalkamantie 5, 02700 Kauniainen, Suomi

Huomaa: Tämä vakuutus lakkaa olemasta voimassa, jos teknisiä tai käyttöön liittyviä muutoksia tehdään ilman valmistajan suostumusta.

Hiroshima, 6/2019

Kazuyoshi Shibuya, Toimitusjohtaja

SHIBUYA COMPANY, LTD.

DÉCLARATION DE CONFORMITÉ EU

SHIBUYA COMPANY, LTD.

5-86, MOKUZAIKO-KITA, HATSUKAICHI, HIROSHIMA 738-0021 JAPAN

déclare sous sa seule responsabilité que les équipements suivants :

Bâti de carottage TS-095(AB42) avec moteur de carottage H1011 (220-240 V), Pays d'origine: Japon

Bâti de carottage TS-095(AB42) avec moteur de carottage H1012 (220-240 V), Pays d'origine: Japon

No de série:

Sont conformes aux directives européennes suivantes :

Directive Machines **2006/42/EC**, Annex I, Annex IIA

Normes harmonisées: EN 62841-1:2015, EN 62841-3-6:2014

EN ISO 12100:2010

Directive CEM **2014/30/EU**

Normes harmonisées: EN 55014-1:2006+A1:2009+A2:2011, EN 55014-2:1997+A1:2001+A2:2008

EN 61000-3-2:2014, EN 61000-3-3:2013, EN 61000-3-11:2000

Directive RoHS **2011/65/EU**

Représentant autorisé / Importateur en France;

PEUVREL OUTILS DIAMANTÉS

35 rue La Maison-Neuve, 35270 BONNEMAIN, FRANCE

La personne autorisée à compiler le dossier technique;

Mr. Julien Peuvrel

35 rue La Maison-Neuve, 35270 BONNEMAIN, FRANCE

Note: Cette déclaration devient invalide si des modifications techniques ont lieu sans l'accord du fabricant.

Hiroshima, 6/2019

Kazuyoshi Shibuya, Directeur

SHIBUYA COMPANY, LTD.

EU SAMSVARSERKLÆRING

SHIBUYA COMPANY, LTD.
5-86, MOKUZAIKO-KITA, HATSUKAICHI, HIROSHIMA 738-0021 JAPAN
erklærer, på eget ansvar, at følgende utstyr:

Borstativ Modell TS-095(AB42) med H1011 Drivmotor (220-240 V), Varens opprinnelsesland: Japan
Borstativ Modell TS-095(AB42) med H1012 Drivmotor (220-240 V), Varens opprinnelsesland: Japan

Serienummer:

Nevnt i denne erklæring i samsvar med følgende direktiv(er)

Maskin direktiv **2006/42/EC**, Annex I, Annex IIA
Harmonisert standard: EN 62841-1:2015, EN 62841-3-6:2014
EN ISO 12100:2010

EMC Direktiv **2014/30/EU**
Harmonisert standard: EN 55014-1:2006+A1:2009+A2:2011, EN 55014-2:1997+A1:2001+A2:2008
EN 61000-3-2:2014, EN 61000-3-3:2013, EN 61000-3-11:2000

RoHS Direktiv **2011/65/EU**

Importør i Norge

SVERRE HELLUM & SØNN AS
LINDEBERG NAERINGSVEI 28, 1067 OSLO
NORWAY
MR. GLENN HELLUM
TEL : +47 23 17 81 00

Tekniskansvarlig for utforming av de tekniskefilene;
J.D. DIAMOND TOOLS A/S
GLENTEVEJ 33, DK-4600 KOGE, DENMARK

Merk: Denne deklarasjonen blir ugyldig om tekniske eller operasjonelle modifikasjoner blir utført uten produsentens tillatelse

Hiroshima, 11/2022
Kazuyoshi Shibuya, President & CEO
SHIBUYA COMPANY, LTD.

ES ATITIKTIES DEKLARACIJA

SHIBUYA COMPANY, LTD.
5-86, MOKUZAIKO-KITA, HATSUKAICHI, HIROSHIMA 738-0021 JAPONIJA
Deklaruoja, kad sekantys gaminiai:

Gręžimo stovo modelis TS-095(AB42) su H1011 gręžimo varikliu (220-240 V), Kilmės šalis: Japonija
Gręžimo stovo modelis TS-095(AB42) su H1012 gręžimo varikliu (220-240 V), Kilmės šalis: Japonija

Serijos Nr.:

Atitinka sekančias direktyvas:

Mašinų direktyva **2006/42/EC**, Annex I, Annex IIA

Atitinka standartus: EN 62841-1:2015, EN 62841-3-6:2014

EN ISO 12100:2010

Elektromagnetinio suderinamumo direktyva **2014/30/EU**

Atitinka standartus: EN 55014-1:2006+A1:2009+A2:2011, EN 55014-2:1997+A1:2001+A2:2008

EN 61000-3-2:2014, EN 61000-3-3:2013, EN 61000-3-11:2000

RoHS direktyva **2011/65/EU**

Autorizuotas atstovas / Importuotojas Lietuvoje;

MONTEZA UAB

Pranciškonų 4A-23, Lt-01133 Vilnius, Lietuva

Asmuo įgaliotas parengti techninę dokumentaciją;

Andrius Montvydas

Pranciškonų 4A-23, Lt-01133 Vilnius, Lietuva

Pastaba: ši deklaracija tampa negaliojanti jei techninės modifikacijos buvo atliktos be gamintojo sutikimo.

Hiroshima, 7/2021

Kazuyoshi Shibuya, Direktorius

SHIBUYA COMPANY, LTD.

SHIBUYA